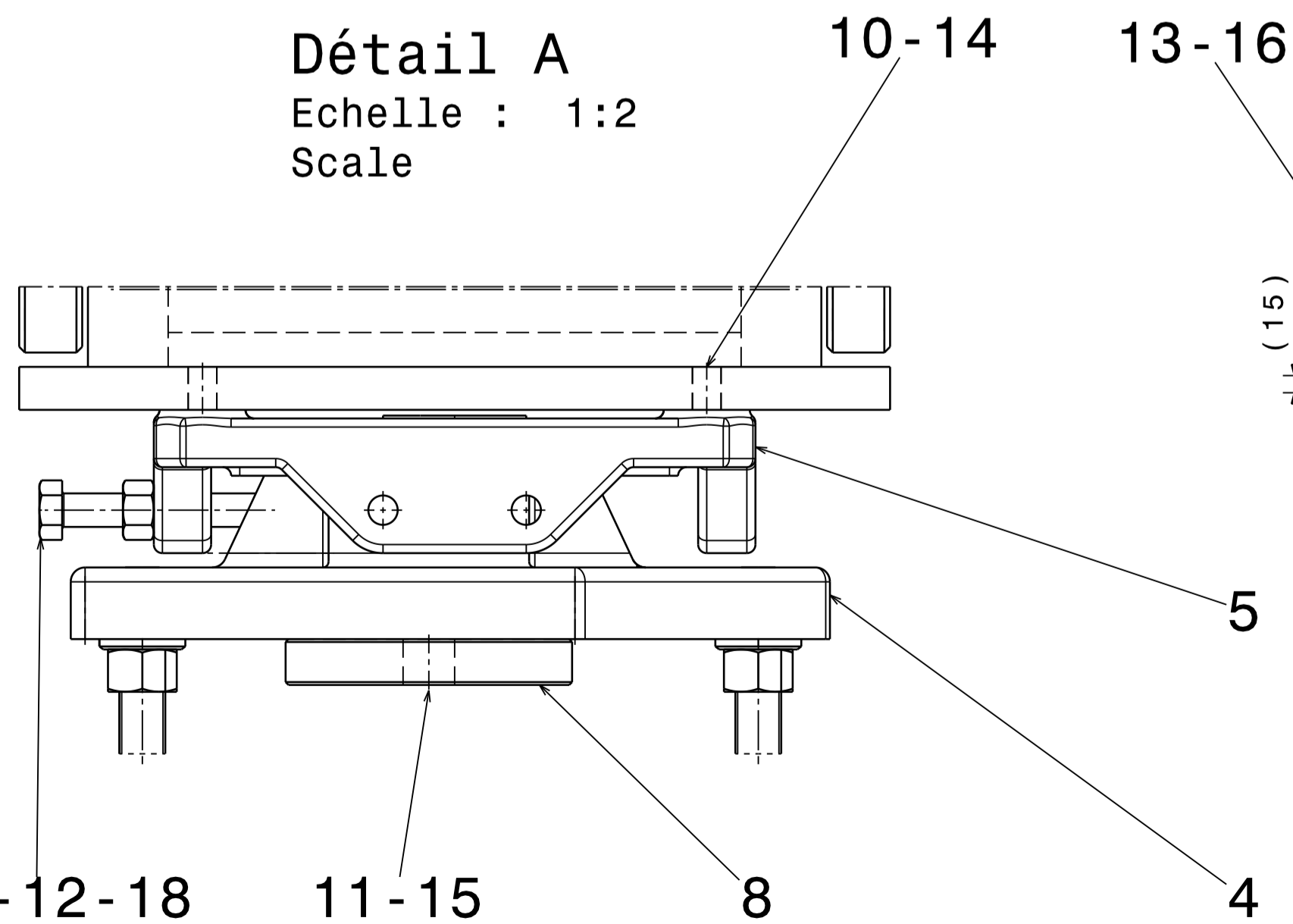


A souder au montage apres introduction de la chambre à vide dans le dipole de correction. Voir plan LEIVTCB0001 pour les spécifications soudures.

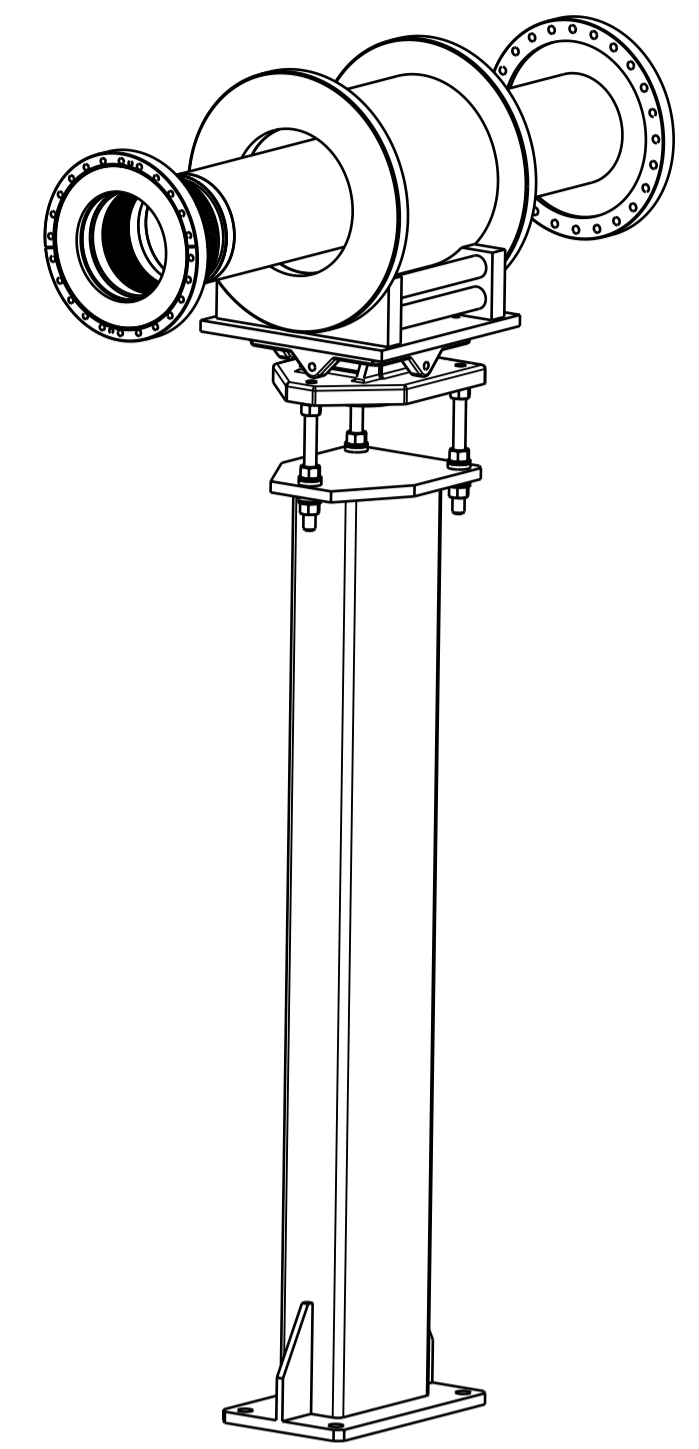
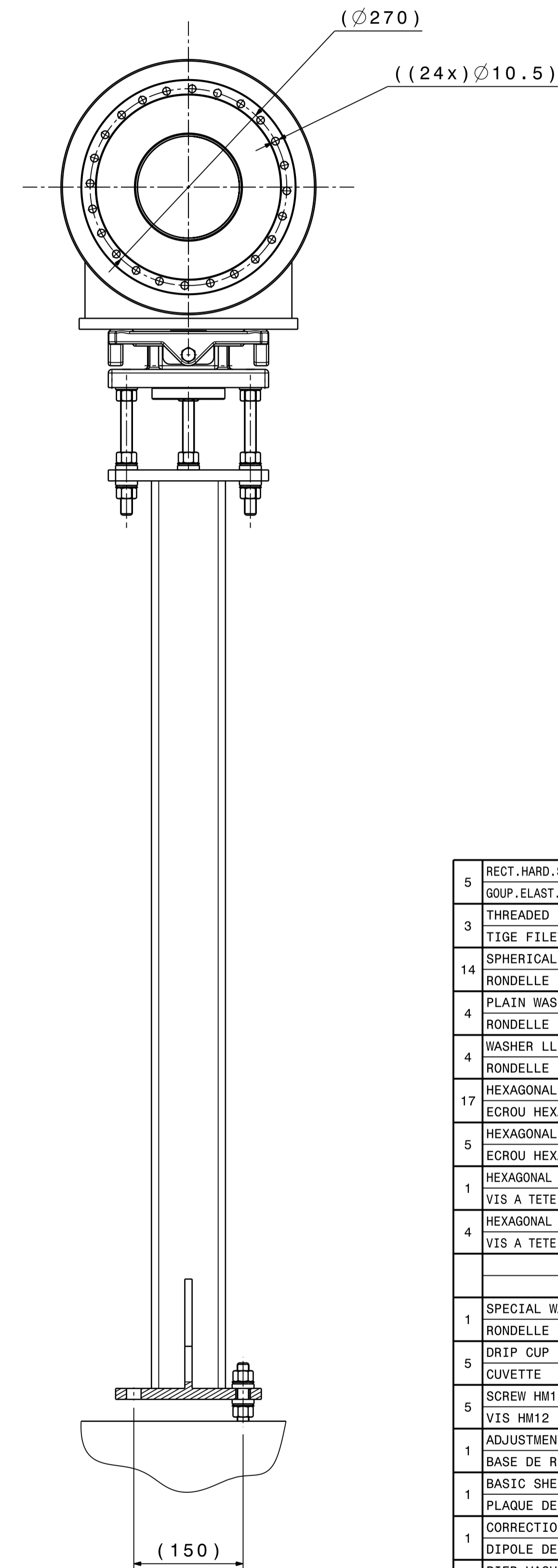
To weld during assembling after mounting vacuum chamber into dipole of correction. See drawing LEIVTCB0001 for the weldings specification.

Détail A  
Echelle : 1:2  
Scale



Torque Screw A4-70 for general mechanical assembly  
Serrage pour du A4-70 a sec (coeff. frottement  $\mu=0.2$ )

Thread	M3	M4	M5	M6	M8	M10	M12	M14	M16
Couple de serrage Tightening torque Nm	1.1	2.6	5.1	8.8	21.4	44	74	119	183



5	RECT.HARD.ST.ELAST.PIN 2x16	18	STEEL		47.74.92
	GOUP.ELAST.AC.TREM.RECT. 2x16		ACIER		216.8
3	THREADED ROD M16	17	STEEL		47.36.77
	TIGE FILETEE M16		ACIER		160.3
14	SPHERICAL WASHER M16	16	HARD. STEEL		47.78.12
	RONDELLE SPHERIQUE M16		ACIER DUR		816.6
4	PLAIN WASHER M16	15	ST. STEEL		47.78.15
	RONDELLE PLATE M16		AC. INOX		016.8
4	WASHER LLU M10	14	ST. STEEL		
	RONDELLE LLU M10		AC. INOX	STANDARD INDUSTRY	
17	HEXAGONAL NUT M16	13	ST. STEEL		47.43.77
	ECROU HEXAGONAL M16		AC. INOX		160.4
5	HEXAGONAL NUT M12	12	ST. STEEL		47.43.77
	ECROU HEXAGONAL M12		AC. INOX		120.2
1	HEXAGONAL HEAD SCREW M16x90	11	ST. STEEL		47.62.81
	VIS A TETE HEXAGONALE M16x90		AC. INOX		523.8
4	HEXAGONAL HEAD SCREW M10x30	10	ST. STEEL		47.62.71
	VIS A TETE HEXAGONALE M10x30		AC. INOX		361.3
		9			
1	SPECIAL WASHER	8	ANTICO	E76.1068.4	
	RONDELLE SPECIALE				
5	DRIP CUP	7	ST. STEEL	ISR 244.466.4	
	CUVETTE		AC. INOX		
5	SCREW HM12 MACHINED	6	ST. STEEL	ISR 244.373.4	
	VIS HM12 USINEE		AC. INOX		
1	ADJUSTMENT BASE	5		ISR 244.464.1C	
	BASE DE REGLAGE				
1	BASIC SHEET	4		ISR 244.463.1	
	PLAQUE DE BASE				
1	CORRECTION MAGNET	3		E18.1000	
	DIPOLE DE CORRECTION				
1	PIER VACUUM CHAMBER	2		E43.1035	
	PILLIER CHAMBRE A VIDE				
1	VACUUM CHAMBER	1		LEIVTCB0001	
	CHAMBRE A VIDE				
QUANT.	DESCRIPTION	POS.	MAT.	OBSERVATIONS	REF. CERN
ENS/ASS	S.ENS/S.ASS				
Assembly of horizontal/vertical dipole correction magnet					
ECHAELLE SCALE			DES/DRA.	ACROTECNA	2006-07-13
DIPOLE EQUIPPED ASSEMBLY			CONTROLLED		
DIPOLE EQUIPE ENSEMBLE			RELEASED		
			APPROVED		
			LEI/LMDHVO/LEI/LMDHVO001		
			REPLACE/REPLACES		
NON VALABLE POUR EXECUTION NOT VALID FOR EXECUTION			GAC	LEI/LMDHVO001	SIZE IND.
			-	1	