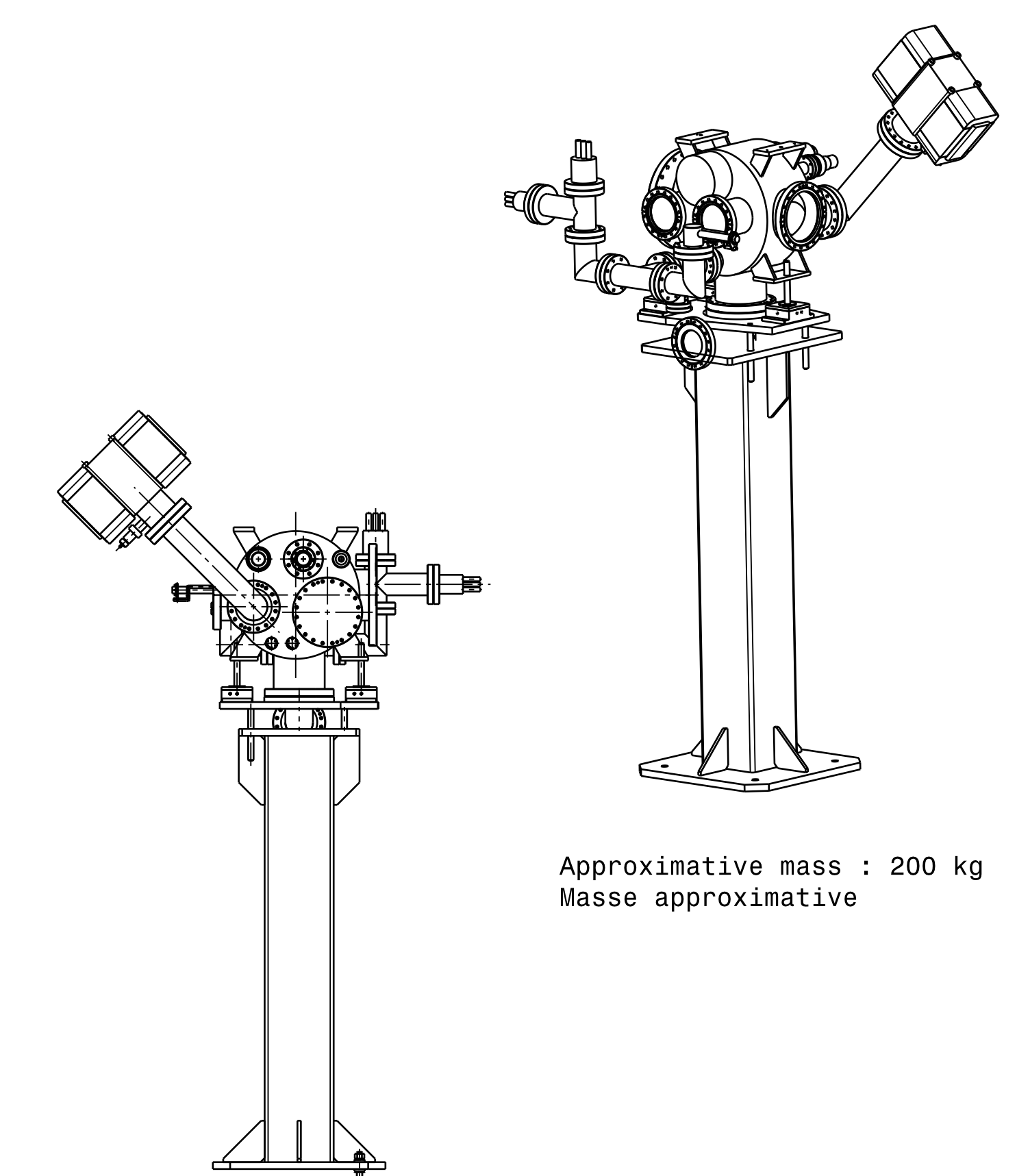


FAISCEAU / BEAM →



Approximative mass : 200 kg
Masse approximative

Sous la responsabilité de G. TRANQUILLE AB/BI
Under the responsibility for G. TRANQUILLE AB/BI

QTY	DESCRIPTION	POS	MAT.	OBSERVATIONS	REF. CERN
3	THREADED ROD M16	42	STEEL		47.36.77
	TIGE FILETÉE M16		ACIER		160.3
14	SPHERICAL WASHER M16	41	HARD. 3		47.76.12
	RONDELLE SPHERIQUE M16		ACIER DUR		816.6
	PLAIN WASHER M16	40	ST. STEEL		47.76.15
3	RONDELLE PLATE M16	40	AC. INOX A4		016.8
	PLAIN WASHER M8	39	ST. STEEL A4		47.76.15
28	RONDELLE PLATE M8	39	AC. INOX A4		116.5
	PLAIN WASHER M6	38	ST. STEEL A4		47.76.15
24	RONDELLE PLATE M6	38	AC. INOX A4		112.9
	PLAIN WASHER M4	37	ST. STEEL A4		47.76.15
60	RONDELLE PLATE M4	37	AC. INOX A4		108.5
	HEXAGONAL NUT M16	36	ST. STEEL		47.43.77
17	ECROU HEXAGONAL M16	36	AC. INOX		160.4
	HEXAGONAL NUT M8	35	ST. STEEL A4		47.43.78
144	ECROU HEXAGONAL M8	35	AC. INOX A4		108.4
	HEXAGONAL NUTS M6	34	ST. STEEL A4		47.43.78
12	ECROU HEXAGONAL M6	34	AC. INOX A4		106.6
	HEXAGONAL NUTS M4	33	ST. STEEL A4		47.43.78
30	ECROU HEXAGONAL M4	33	AC. INOX A4		104.8
	HEXAGONAL HEAD SCREW M8x60	32	ST. STEEL A4		47.62.83
40	VIS A TETE HEXAGONALE M8x60	32	AC. INOX A4		124.1
	HEXAGONAL HEAD SCREW M8x55	31	ST. STEEL A4		47.62.83
48	VIS A TETE HEXAGONALE M8x55	31	AC. INOX A4		122.3
	HEXAGONAL HEAD SCREW M8x45	30	ST. STEEL A4		47.62.83
56	VIS A TETE HEXAGONALE M8x45	30	AC. INOX A4		118.9
	HEXAGONAL HEAD SCREW M6x35	29	ST. STEEL A4		47.62.83
12	VIS ATETE HEXAGONALE M6x35	29	AC. INOX A4		014.6
	HEXAGONAL HEAD SCREW M4x20	28	ST. STEEL A4		47.62.83
30	VIS A TETE HEXAGONALE M4x20	28	AC. INOX A4		004.8
		27			
2	SEAL METAL FOR UHV FLANGE DN 150	26	CUOFS 0,1 AG		18.60.55
	JOINT METAL POUR BRIDE UHV DN 150		CUOFS 0,1 AG		865.9
3	SEAL METAL FOR UHV FLANGE DN 100	25	CUOFS 0,1 AG		18.60.55
	JOINT METAL POUR BRIDE UHV DN100		CUOFS 0,1 AG		860.4
7	SEAL METAL FOR UHV FLANGE DN 63	24	CUOFS 0,1 AG		18.60.55
	JOINT METAL POUR BRIDE UHV DN 63		CUOFS 0,1 AG		855.1
2	SEAL METAL FOR UHV FLANGE DN 35	23	CUOFS 0,1 AG		18.60.55
	JOINT METAL POUR BRIDE UHV DN 35		CUOFS 0,1 AG		850.6
5	SEAL METAL FOR UHV FLANGE DN 16	22	CUOFS 0,1 AG		18.60.55
	JOINT METAL POUR BRIDE UHV DN 16		CUOFS 0,1 AG		840.8
		21			
1	RESIDUAL GAZ ANALYSER (RGA)	20		BALZERS QMA125	
	ANALYSEUR DE GAZ RESIDUEL (RGA)				
1	SUBLIMATION PUMP (VPS)	19		PS_VMPUM001	
	POMPE DE SUBLIMATION (VPS)				
1	ION PUMP (VP160)	18		VARIAN 911.5034	
	POMPE IONIQUE 60 l/s (VP160)				
1	PIRANI GAUGE (VGR)	17		PFEIFFER TPR018	
	JAUGE PIRANI (VGR)				
1	PENNING GAUGE (VGP)	16		PFEIFFER IKR070	
	JAUGE DE PENNING (VGP)				
1	PUMP GROUP (VPG)	15		LNCVPG_0015	
	GROUPE DE POMPAGE (VPG)				
1	IONISATION GAUGE (VGI)	14		SVT305	
	JAUGE DE IONISATION (VGI)				
		13			
2	VACUUM TUBE 90°	12		CVT.FE.114.64	
	TUBE A VIDE 90°				
1	VACUUM TUBE	11		CVT.FT.114.64R	
	TUBE A VIDE				
3	BASE OF ADJUSTMENT	10		E76.1042	
	SOCLE DE REGLAGE				
1	90° ELBOW TUBE ASSEMBLY	9		LEIVCTCJ0001	
	TUBE COUDE A 90° ENSEMBLE				
1	90° ELBOW TUBE ASSEMBLY	8		LEIVCTCK0001	
	TUBE COUDE A 90° ENSEMBLE				
1	177° GAUGE ASSEMBLY	7		LEIVCPG_0001	
	177° A JAUGE ENSEMBLE				
1	UHV FLANGE FIXED 20/19 32/18 18.40.18.001.4	6		STDVPUHV0011	
	BRIDE UHV FIXE 20/19 32/18 18.40.18.001.4				
1	UHV FLANGE FIXED 70/35	5		STDVPUHV0005	
	BRIDE UHV FIXE 70/35				
4	UHV FLANGE FIXED 34/16 32/18 18.40.18.001.7	4		STDVPUHV0003	
	BRIDE UHV FIXE 34/16 32/18 18.40.18.001.7				
1	VACUUM TANK MSHV 41, 43	3		LEIVCPTB0001	
	TANK A VIDE MSHV 41, 43				
1	PLATE SUPPORT	2		LEIHM_0024	
	PLAQUE SUPPORT				
1	FOOT	1		LEIHM_0019	
	PIED				

Vue A View

Nota / Note :
Le repères de 15 n'est pas représentés dans ce détail. Il est la pour information.
The reference marks 15 is not represented in this detail. It is for information.

Torque Screw A4-70 for general mechanical assembly
Serrage pour du A4-70 a sec (coeff. frottement μ=0.2)

Thread	M3	M4	M5	M6	M8	M10	M12	M14	M16
Couple de serrage Tightening torque Nm	1.1	2.6	5.1	8.8	21.4	44	74	119	183

REVISIONS / MODIFICATIONS / LES REVISIONS / MODIFICATIONS
REVISIONS / MODIFICATIONS / LES REVISIONS / MODIFICATIONS
REVISIONS / MODIFICATIONS / LES REVISIONS / MODIFICATIONS