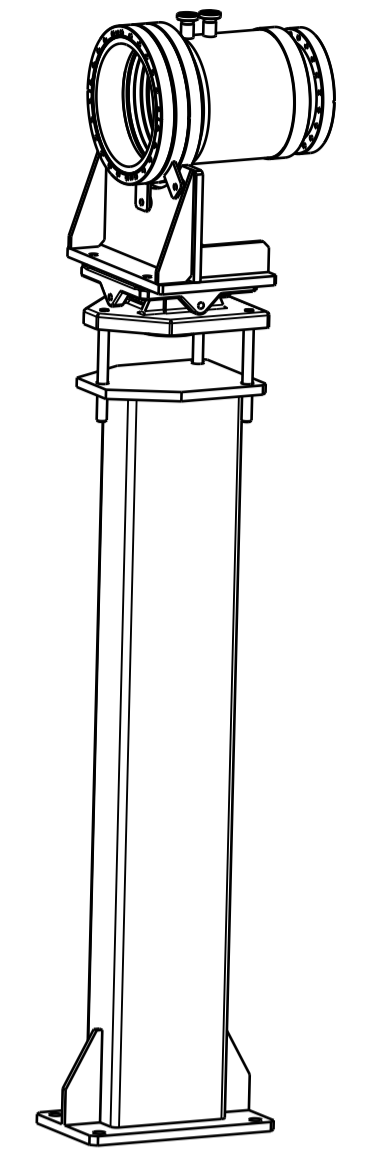
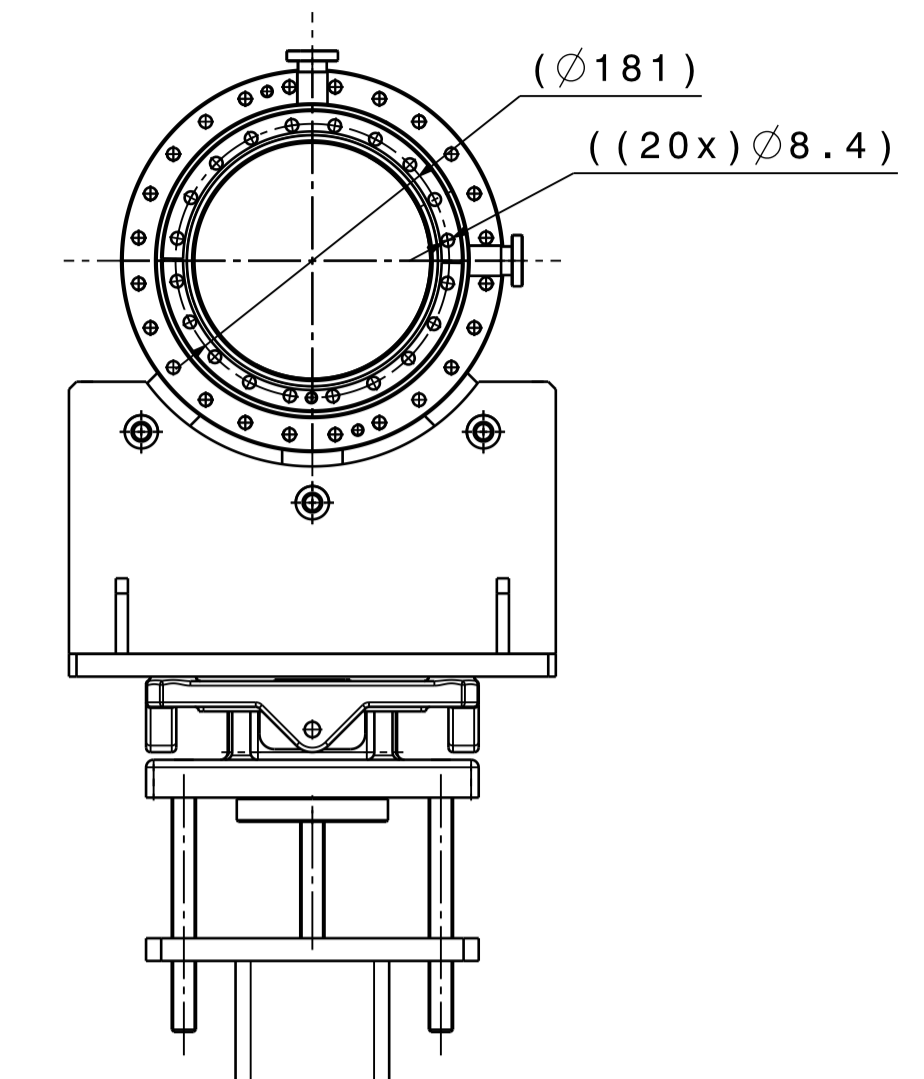


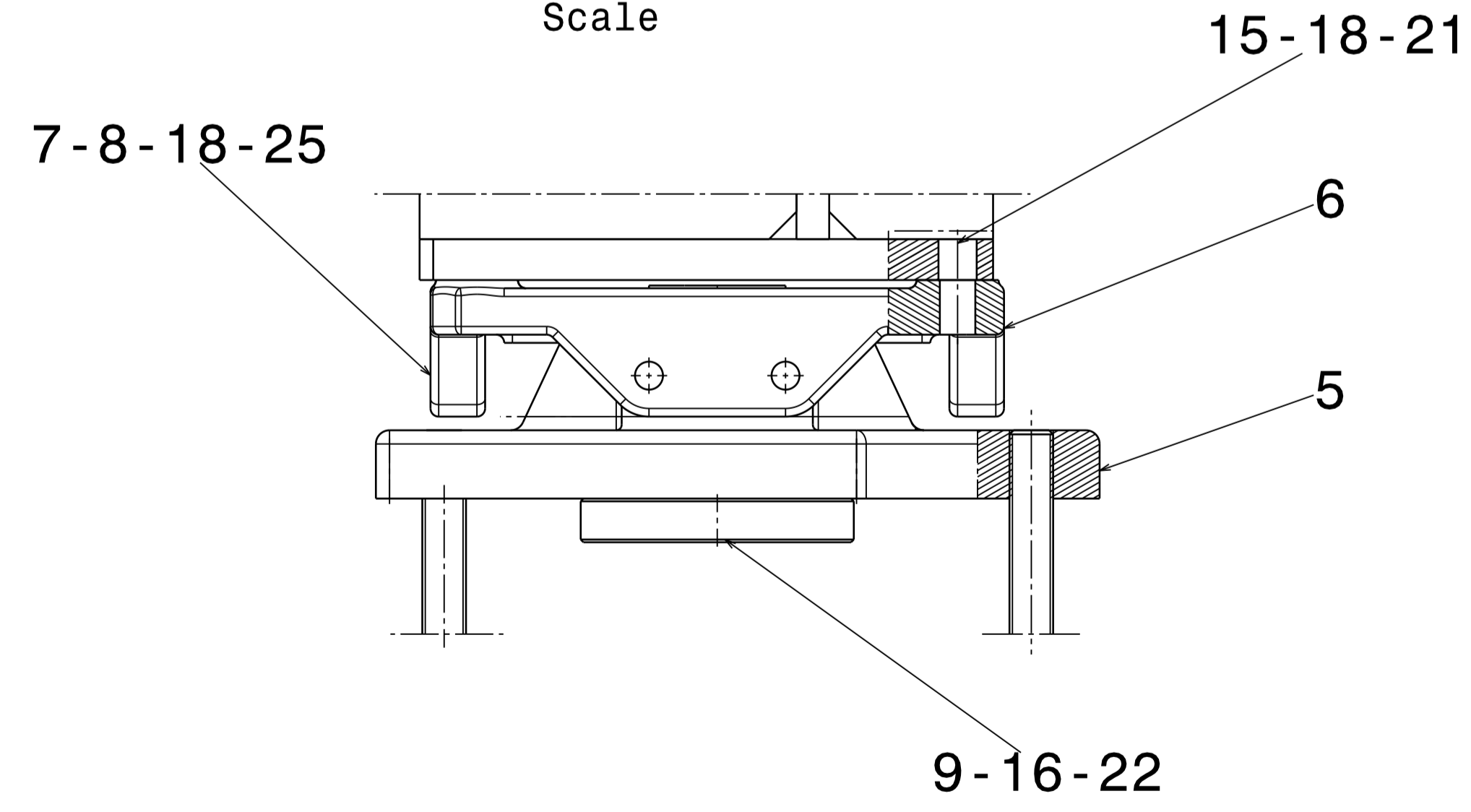
Les elements LEIVTCH0003 et E43.1144 seront a fixe part des vis traversantes avec l'ensemble LEILVCPT0001 dans l'anneau lors de leurs montages.

The elements LEIVTCH0003 and E43.1144 will be has fixed share of the screws through with unit LEILVCPT0001 in the ring at the time of their assemblies.

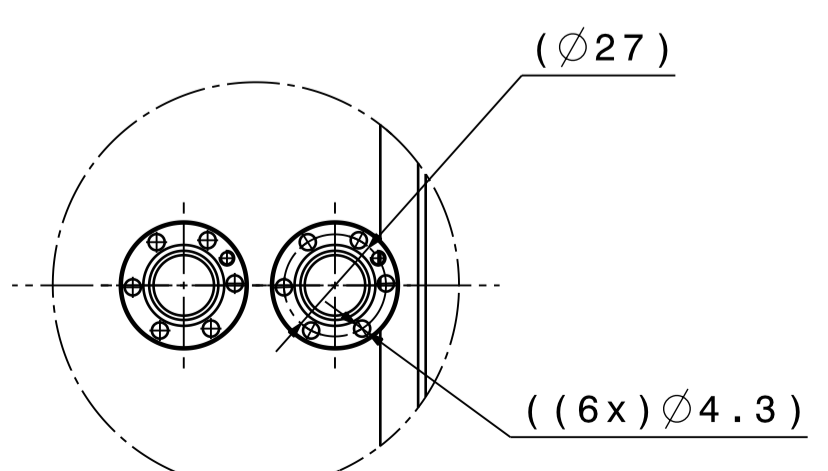
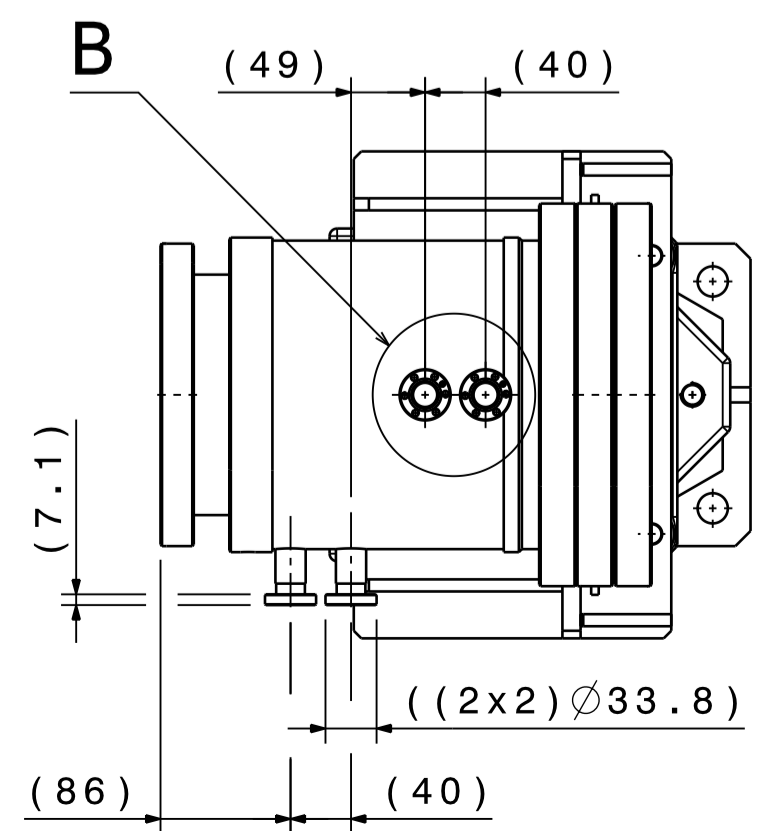


Approximative mass : 90 kg
Masse approximative

Détail A
Echelle : 1:2
Scale



Détail B
Echelle : 1:2
Scale



5	RECT.HARD.ST.ELAST.PIN 2x16	25	STEEL		47.74.92
	GOUP.ELAST.AC.TREM.RECT. 2x16		ACIER		216.8
3	THREADED ROD M16	24	STEEL		47.36.77
	TIGE FILETEE M16		ACIER		160.3
14	SPHERICAL WASHER M16	23	HARD. STEEL		47.78.12
	RONDELLE SPHERIQUE M16		ACIER DUR		816.6
	PLAIN WASHER M16		ST. STEEL		47.78.15
4	RONDELLE PLATE M16	22	AC. INOX		016.8
11	PLAIN WASHER M12	21	ST. STEEL		47.78.15
	RONDELLE PLATE M12		AC. INOX		012.2
48	PLAIN WASHER M8	20	ST. STEEL A4		47.78.15
	RONDELLE PLATE M8		AC. INOX A4		116.5
17	HEXAGONAL NUT M16	19	ST. STEEL		47.43.77
	ECROU HEXAGONAL M16		AC. INOX		160.4
9	HEXAGONAL NUT M12	18	ST. STEEL		47.43.77
	ECROU HEXAGONAL M12		AC. INOX		120.2
24	HEXAGONAL NUT M8	17	ST. STEEL A4		47.43.78
	ECROU HEXAGONAL M8		AC. INOX A4		108.4
1	HEXAGONAL HEAD SCREW M16x90		ST. STEEL		47.62.81
4	VIS A TETE HEXAGONALE M16x90	16	AC. INOX		523.8
4	HEXAGONAL HEAD SCREW M12x60	15	ST. STEEL		47.62.82
	VIS TETE HEXAGONALE M12x60		AC. INOX		417.5
3	HEXAGONAL HEAD SCREW M12x40	14	ST. STEEL		47.62.82
	VIS A TETE HEXAGONALE M12x40		AC. INOX		413.9
24	HEXAGONAL HEAD SCREW M8x120	13	ST. STEEL A4	BOSSARD REF : 1239430	
	VIS A TETE HEXAGONALE M8x120		AC. INOX A4		
		12			
2	SEAL FOR UHV FLANGE DN200	11	COPPER		18.60.55
	JOINT POUR UHV DN200		CUIVRE		875.7
		10			
1	SPECIAL WASHER	9	ALUMINIUM	E76.1068	
	RONDELLE SPECIALE		ANTICO.		
5	DRIP CUP	8	ST. STEEL	ISR 244.466	
	CUVETTE		AC. INOX		
5	SCREW HM12 MACHINED	7	ST. STEEL	ISR 244.373	
	VIS HM12 USINEE		AC. INOX		
1	ADJUSTMENT BASE	6		ISR 244.464.1C	
	BASE DE REGLAGE				
1	BASIC SHEET	5		ISR 244.463	
	PLAQUE DE BASE				
1	FLANGE CONNECTION	4	ST. STEEL	LEIVTCH0003	
	BRIDE DE RACCORD		AC. INOX	NON DOCUMENTE / NOT DOCUMENTED	
1	UEHV11 SUPPORT	3	ALUMINIUM	LEIHM_0018	
	SUPPORT UEHV11		ANTICO. 100		
1	FOOT	2	STEEL	E76.1035	
	PIED		ACIER		
1	VACUUM CHAMBER UEHV 42	1	ST. STEEL	E43.1144	
	CHAMBRE A VIDE UEHV 42		AC. INOX		
	DESCRIPTION	POS	MAT.	OBSERVATIONS	REF.CERN
QUANT.	ENS/ASS		S.ENS/S.ASS		

Torque Screw A4-70 for general mechanical assembly
Serrage pour du A4-70 a sec (coeff. frottement $\mu=0.2$)

Thread	M3	M4	M5	M6	M8	M10	M12	M14	M16
Couple de serrage Tightening torque Nm	1.1	2.6	5.1	8.8	21.4	44	74	119	183

Assembly of beam position pickup in both planes

PICK-UP EQUIPMENT ASSEMBLY
EQUIPEMENT PICK-UP ENSEMBLE

NON VALABLE POUR EXECUTION
NOT VALID FOR EXECUTION

LEILBPUB002 1

DES/IN. RUSORITE. TOLERANCES
 DRAWING. RUGOSITY. TOLERANCES
 ACCORDING TO ISO STANDARDS

ORGANIZATION EUROPEENNE POUR
 LA RECHERCHE NUCLEAIRE
 EUROPEAN ORGANIZATION FOR
 NUCLEAR RESEARCH