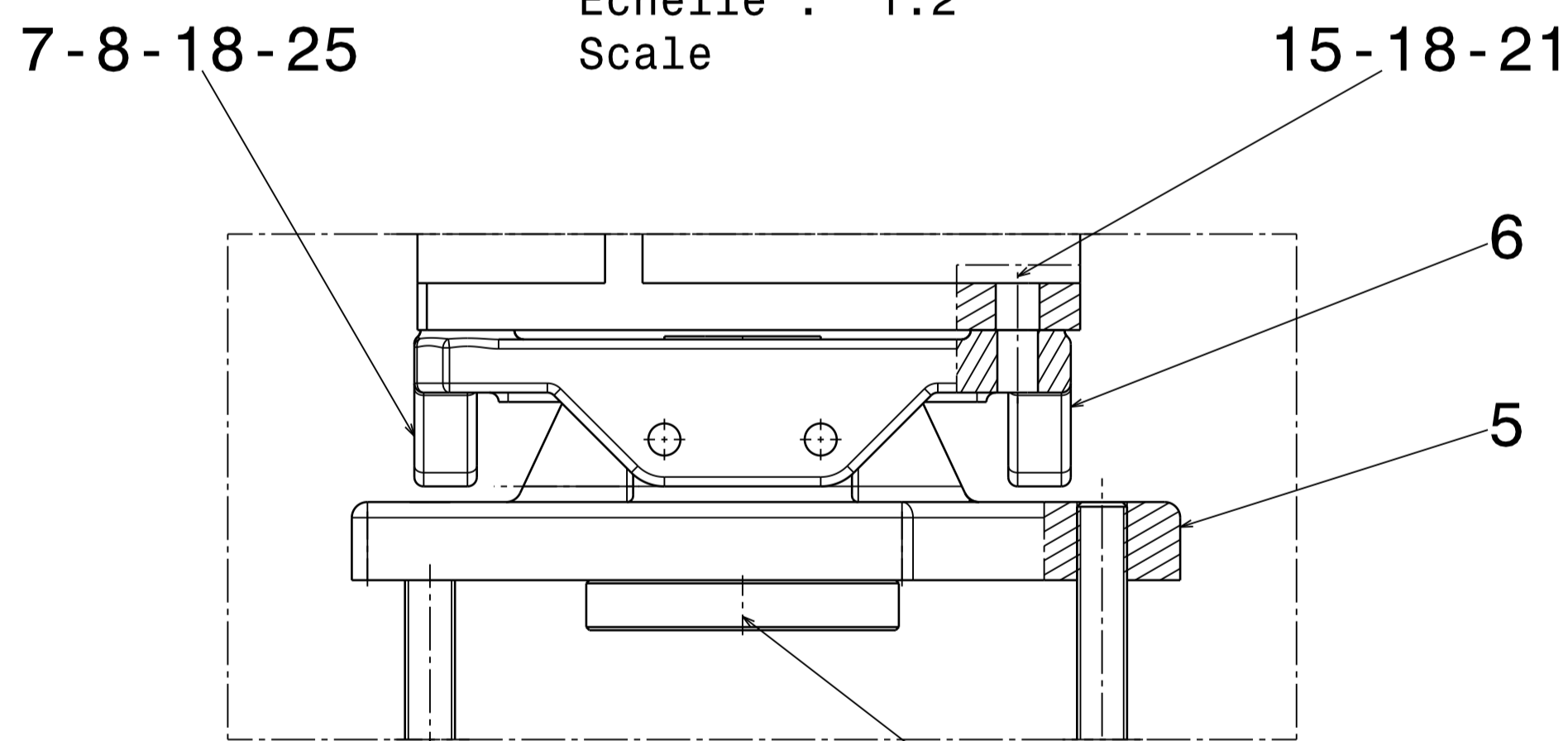
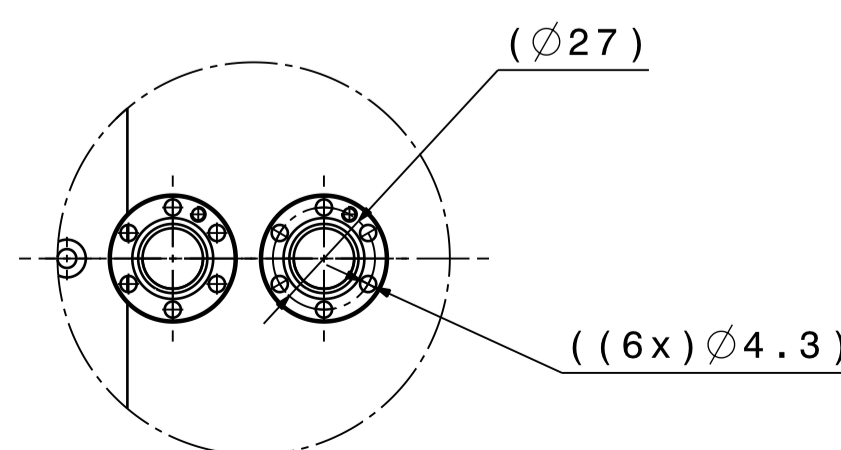
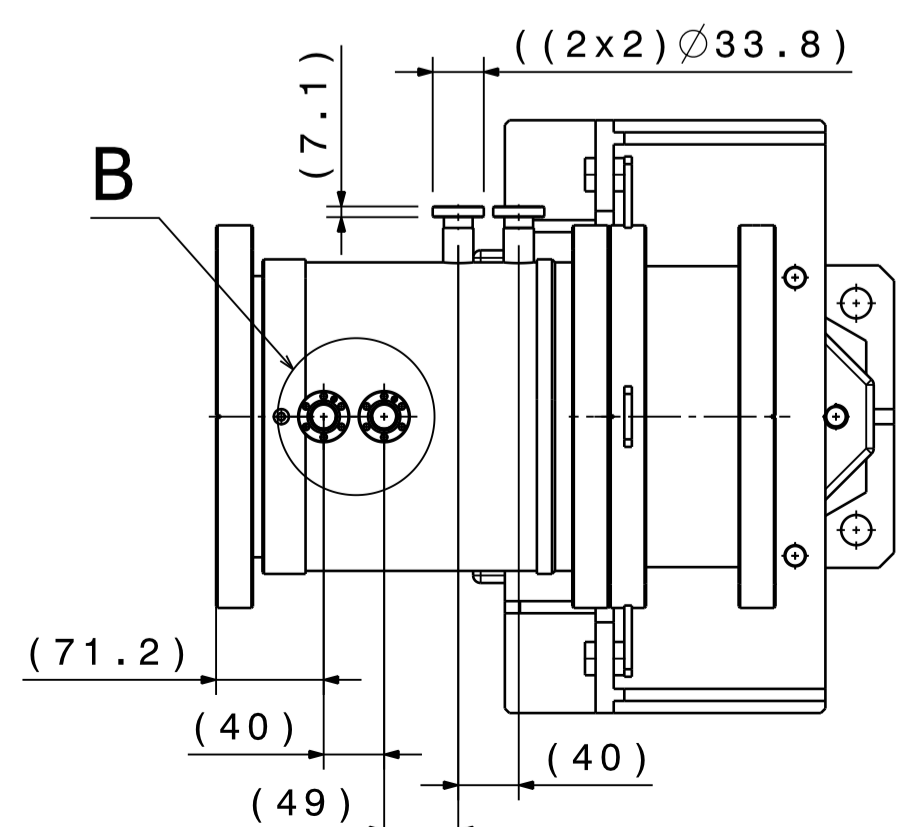


Approximative mass : 96 kg
Masse approximative

Détail A
Echelle : 1:2
Scale



Détail B
Echelle : 1:2
Scale



5	RECT.HARD.ST.ELAST.PIN 2x16	STEEL		47.74.92
	GOUP.ELAST.AC.TREM.RECT. 2x16	ACIER		216.8
3	THREADED ROD M16	STEEL		47.36.77
	TIGE FILETEE M16	ACIER		160.3
14	SPHERICAL WASHER M16	HARD. STEEL		47.78.12
	RONDELLE SPHERIQUE M16	ACIER DUR		816.6
4	PLAIN WASHER M16	ST. STEEL		47.78.15
	RONDELLE PLATE M16	AC. INOX		016.8
11	PLAIN WASHER M12	ST. STEEL		47.78.15
	RONDELLE PLATE M12	AC. INOX		012.2
48	PLAIN WASHER M8	ST. STEEL A4		47.78.15
	RONDELLE PLATE M8	AC. INOX A4		116.5
17	HEXAGONAL NUT M16	ST. STEEL		47.43.77
	ECROU HEXAGONAL M16	AC. INOX		160.4
9	HEXAGONAL NUT M12	ST. STEEL		47.43.77
	ECROU HEXAGONAL M12	AC. INOX		120.2
24	HEXAGONAL NUT M8	ST. STEEL A4		47.43.78
	ECROU HEXAGONAL M8	AC. INOX A4		108.4
1	HEXAGONAL HEAD SCREW M16x90	ST. STEEL		47.62.81
	VIS A TETE HEXAGONALE M16x90	AC. INOX		523.8
4	HEXAGONAL HEAD SCREW M12x60	ST. STEEL		47.62.82
	VIS TETE HEXAGONALE M12x60	AC. INOX		417.5
3	HEXAGONAL HEAD SCREW M12x40	ST. STEEL		47.62.82
	VIS A TETE HEXAGONALE M12x40	AC. INOX		413.9
24	HEXAGONAL HEAD SCREW M8x70	ST. STEEL A4		47.62.83
	VIS A TETE HEXAGONALE M8x70	AC. INOX A4		134.9
1	SEAL FOR UHV FLANGE DN200	COPPER		18.60.55
	JOINT POUR UHV DN200	CUIVRE		875.7
1	SPECIAL WASHER	ALUMINIUM	E76.1068	
	RONDELLE SPECIALE	ANTICO.		
5	DRIP CUP	ST. STEEL	ISR 244.466	
	CUVETTE	AC. INOX		
5	SCREW HM12 MACHINED	ST. STEEL	ISR 244.373	
	VIS HM12 USINEE	AC. INOX		
1	ADJUSTMENT BASE		ISR 244.464.1C	
	BASE DE REGLAGE			
1	BASIC SHEET		ISR 244.463	
	PLAQUE DE BASE			
1	FOOT	STEEL	E76.1035	
	PIED	ACIER		
1	VALVE NW150 SUPPORT	ALUMINIUM	E76.1032	
	SUPPORT DE VANNE NW150	ANTICO. 100		
1	TUBE OF REPLAC. OF VALVE NW150	ST. STEEL	E43.1146	
	TUBE DE REPLAC. DE VANNE NW150	AC. INOX		
1	VACUUM CHAMBER UEHV 31-32	ST. STEEL	E43.1145	
	CHAMBRE A VIDE UEHV 31-32	AC. INOX		

QUANT.	DESCRIPTION	POS.	MAT.	OBSERVATIONS	REF.CERN
ENS/ASS			S.ENS/S.ASS		
Assembly of beam position pickup in both planes					
ECHELLE SCALE		DES/DRA.	ACROTECNA	2006-10-05	
1:5		CONTROLLED			
1:2		RELEASED			
		APPROVED			
		REPLACE/REPLACES	LEILBPUB01	LEILBPUB001	
		REPLACE/REPLACES			
NON VALABLE POUR EXECUTION NOT VALID FOR EXECUTION		GAC	-	LEILBPUB001	1

Torque Screw A4-70 for general mechanical assembly									
Serrage pour du A4-70 a sec (coeff. frottement $\mu=0.2$)									
Thread	M3	M4	M5	M6	M8	M10	M12	M14	M16
Couple de serrage Tightening torque Nm	1.1	2.6	5.1	8.8	21.4	44	74	119	183

DESIGN, DIMENSIONS, TOLERANCES
 DRAWING, RUGOSITY, TOLERANCES
 ACCORDING TO ISO STANDARDS
 PROJECTION

ORGANIZATION EUROPEENNE POUR
 LA RECHERCHE NUCLEAIRE
 EUROPEAN NUCLEAR RESEARCH
 ORGANIZATION
 LEIPUB001