

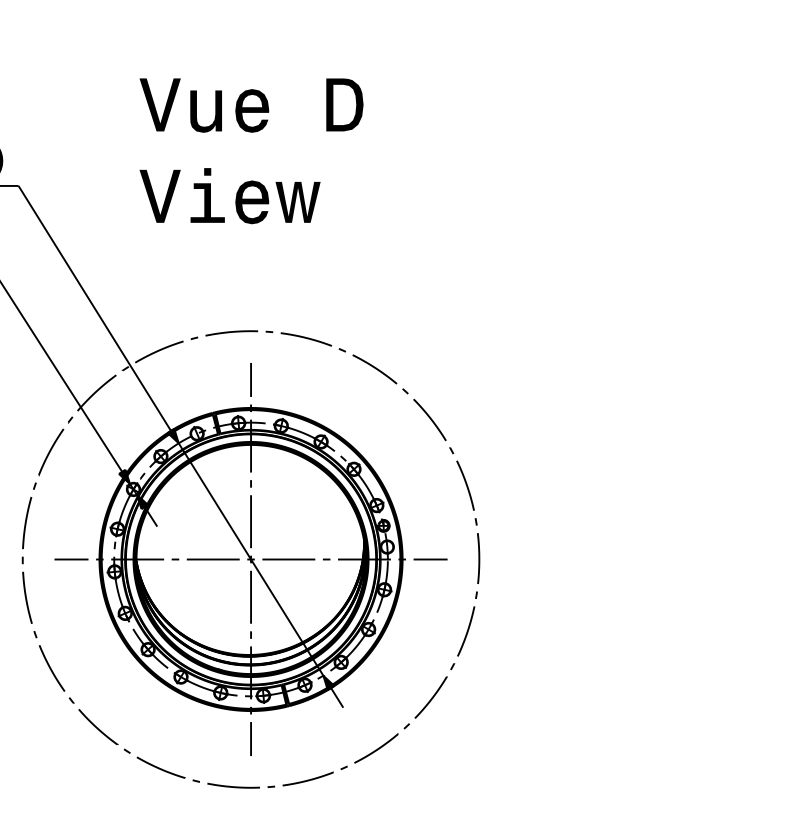
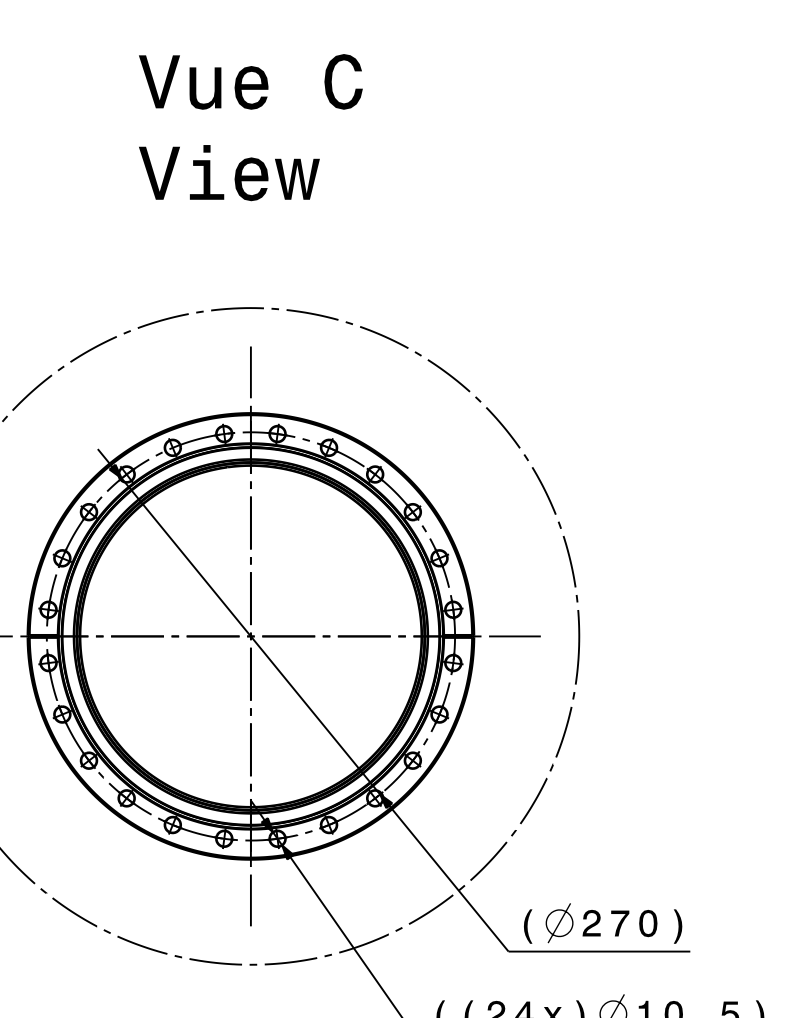
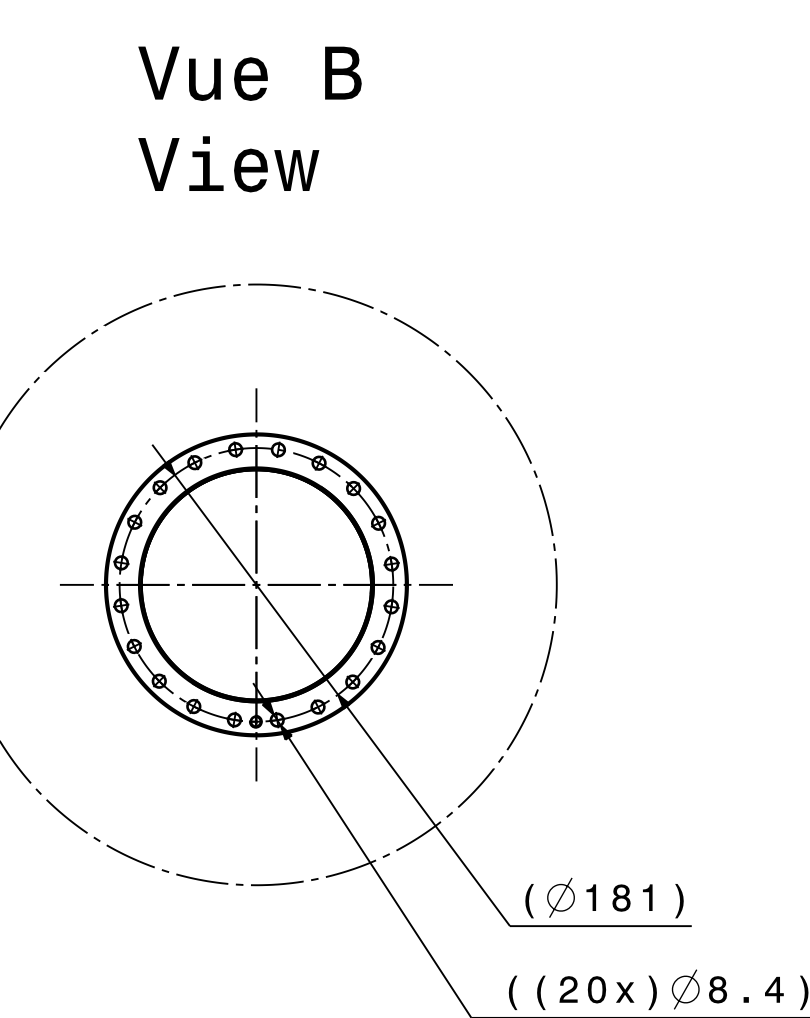
Torque Screw A4-70 for general mechanical assembly  
Serrage pour du A4-70 a sec (coeff. frottement  $\mu=0.2$ )

Thread	M3	M4	M5	M6	M8	M10	M12	M14	M16
Couple de serrage Tightening torque Nm	1.1	2.6	5.1	8.8	21.4	44	74	119	183

Nota / Note :  
Voir plan E44.1000-0, ensemble tank à vide KFA1 pour visserie.  
Seul la visserie des équipements vide est renseigné sur ce plan.  
See drawing E44.1000-0, tank unit with vacuum KFA1 for screws and bolts.  
Only screws and bolt of vacuum equipments is informed on this drawing.

Sous la responsabilité de L. SERMEUS AB/BT  
Under the responsibility for L. SERMEUS AB/BT

Nota / Note :  
Les repères 18, 22, 23, 24 et 25 ne sont pas représentés dans ce détail.  
Ils sont la pour information.  
The reference marks 18, 22, 23, 24 and 25 are not represented in this detail.  
They are for information.



106	PLAIN WASHER M8	36	ST. STEEL A4	47.78.15
	RONDELLE PLATE M8		AC. INOX A4	116.5
12	PLAIN WASHER M6	35	ST. STEEL A4	47.78.15
	RONDELLE PLATE M6		AC. INOX A4	112.9
24	PLAIN WASHER M4	34	ST. STEEL A4	47.78.15
	RONDELLE PLATE M4		AC. INOX A4	108.5
68	HEXAGONAL NUT M6	33	ST. STEEL A4	47.43.78
	ECROU HEXAGONAL M6		AC. INOX A4	108.4
6	HEXAGONAL NUTS M6	32	ST. STEEL A4	47.43.78
	ECROU HEXAGONAL M6		AC. INOX A4	106.6
12	HEXAGONAL NUTS M4	31	ST. STEEL A4	47.43.78
	ECROU HEXAGONAL M4		AC. INOX A4	104.8
20	HEXAGONAL HEAD SCREW M8x55	30	ST. STEEL A4	47.62.83
	VIS A TETE HEXAGONALE M8x55		AC. INOX A4	122.3
48	HEXAGONAL HEAD SCREW M8x45	29	ST. STEEL A4	47.62.83
	VIS A TETE HEXAGONALE M8x45		AC. INOX A4	118.9
6	HEXAGONAL HEAD SCREW M6x35	28	ST. STEEL A4	47.62.83
	VIS ATETE HEXAGONALE M6x35		AC. INOX A4	014.6
12	HEXAGONAL HEAD SCREW M4x20	27	ST. STEEL A4	47.62.83
	VIS A TETE HEXAGONALE M4x20		AC. INOX A4	004.8
1	MAGNET TERMINATING RESISTORS	25		PS-KM-M60-405-1
1	MAGNET CONNECTION ASSEMBLY	24		PS-KM-M60-400-1
1	KICKER OF INJECTION ASS KFH 12/14	23		E22.1050
1	ENS. KICKER D'INJECTION KFH 12/14			
1	KICKER INJECTION 18 CELLS	22		E22.1000
1	INJECTION KICKER 18 CELLULES			
		21		
1	PENNING GAUGE (VGP)	20		PFEIFFER IKR070
1	JAUGE DE PENNING (VGP)			
1	PIRANI GAUGE (VGR)	19		PFEIFFER TPR018
1	JAUGE PIRANI (VGR)			
1	PUMP GROUP (VPG)	18		LHCVP0_0015
1	GROUPE DE POMPAGE (VPG)			
1	IONISATION GAUGE (VGI)	17		SVT 305
1	JAUGE DE IONISATION (VGI)			
		16		
2	RESERVE BOX/ ASSEMBLY (WITH ION DETECTOR)	15		LNCGIMS0002
1	ION PUMP (VPT400)	14		VARIAN 912.7022
1	POMPE IONIQUE 60 1/s (VPT400)			
4	SUBLIMATION PUMP (VPS)	13		PS_VMPUM0001
	POMPE DE SUBLIMATION (VPS)			
		12		
1	SEAL METAL FOR UHV FLANGE DN 150	11		CUOFS 0,1 AG
	JOINT METAL POUR BRIDE UHV DN 150			18.60.55
6	SEAL METAL FOR UHV FLANGE DN 63	10		CUOFS 0,1 AG
	JOINT METAL POUR BRIDE UHV DN 63			865.9
9	SEAL METAL FOR UHV FLANGE DN 35	9		CUOFS 0,1 AG
	JOINT METAL POUR BRIDE UHV DN 35			18.60.55
2	SEAL METAL FOR UHV FLANGE DN 16	8		CUOFS 0,1 AG
	JOINT METAL. POUR BRIDE UHV DN 16			850.6
		7		18.60.55
		6		840.8
		5		
1	UHV FLANGE F100 34/16 SCW 18.80.18.001.7	4		STDVFLW0003
	BRIDE UHV. F100 34/16 SCW 18.80.18.001.7			
1	"T" GAUGE ASSEMBLY	3		LE1VCP0_0001
1	"T" A JAUGE ENSEMBLE			
2	INTERMEDIATE FOOT	2		E44.1081
2	PIED INTERMEDIAIRE			
3	TANK SUPPORT	1		A49.2048
3	SUPPORT DE TANK			
1	COVER	1		E44.1002
1	COUVERCLE			
1	VACUUM TANK KFA1	1		E44.1001
1	TANK A VIDE KFA1			
	DESCRIPTION	POS	MAT.	OBSERVATIONS
	ENS/ASS		S. ENS/S. ASS	REF. CERN
Assembly of Fast horizontal kicker magnet				
SCALE 1:15				
CONTROLLED				
RELEASED				
APPROVED				
LE1LMKFH01/LE1LMKFH002				
REPLACE/REPLACES				
NON VALABLE POUR EXECUTION				
NOT VALID FOR EXECUTION				
LE1LMKFH002				

DESIGN: INGÉNIEUR, TECHNICIEN  
 DRAWING: DRAFTER, CHECKER  
 APPROVAL: RESPONSIBLE, STANDARDS  
 REVISION: 01, 02, 03, 04, 05, 06, 07, 08, 09, 10, 11, 12, 13, 14, 15, 16, 17, 18, 19, 20, 21, 22, 23, 24, 25, 26, 27, 28, 29, 30, 31, 32, 33, 34, 35, 36, 37, 38, 39, 40, 41, 42, 43, 44, 45, 46, 47, 48, 49, 50, 51, 52, 53, 54, 55, 56, 57, 58, 59, 60, 61, 62, 63, 64, 65, 66, 67, 68, 69, 70, 71, 72, 73, 74, 75, 76, 77, 78, 79, 80, 81, 82, 83, 84, 85, 86, 87, 88, 89, 90, 91, 92, 93, 94, 95, 96, 97, 98, 99, 100