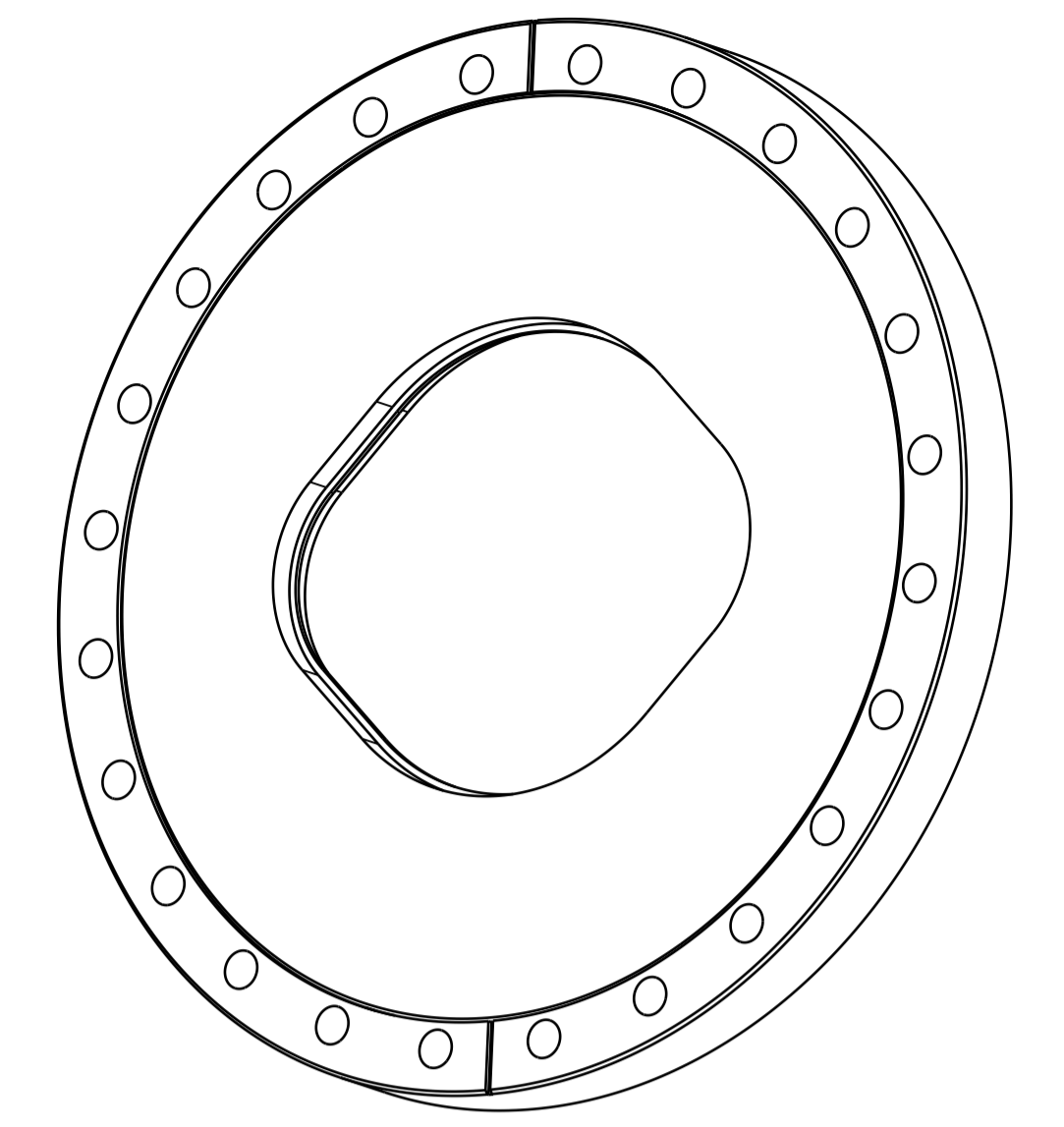
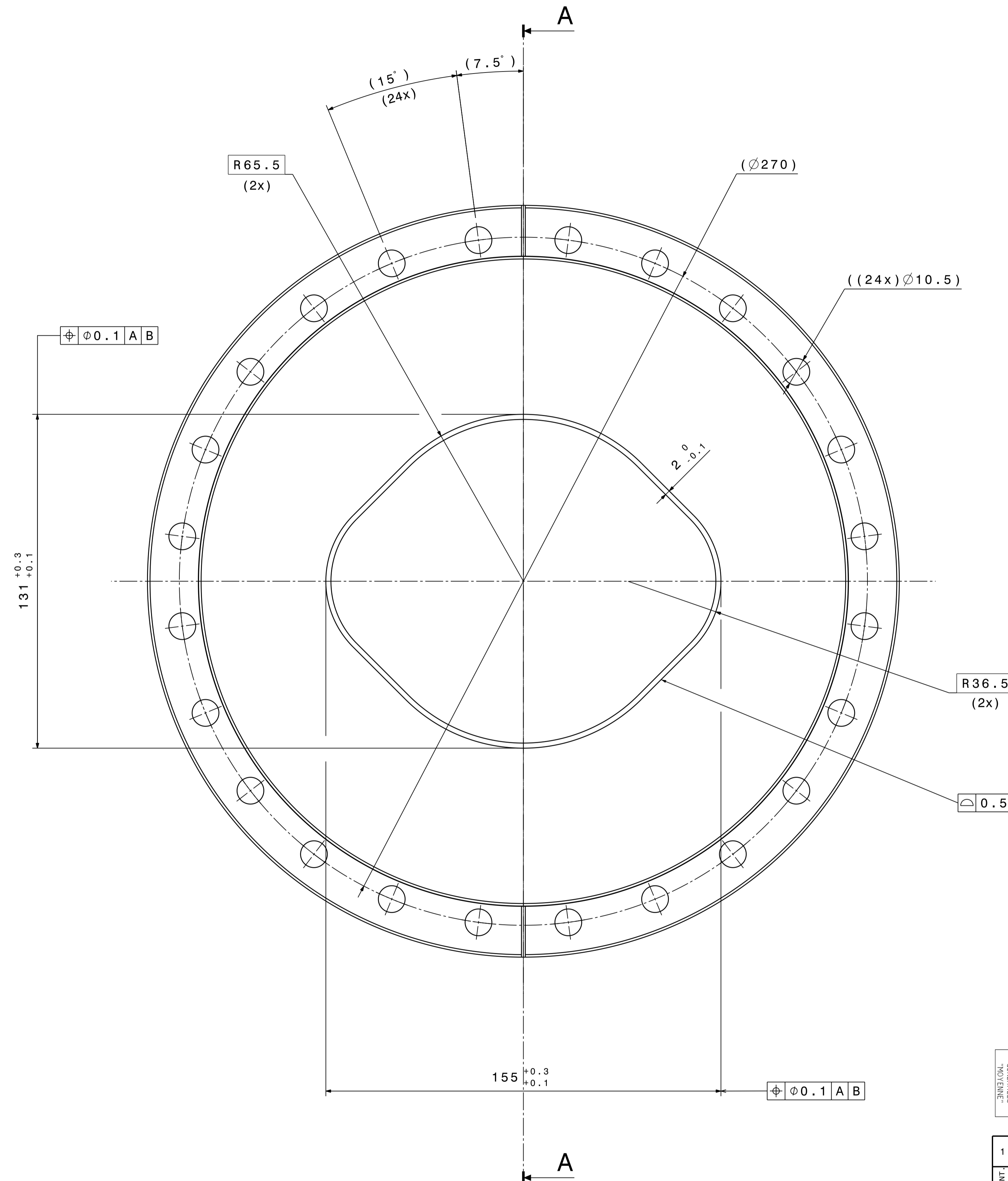
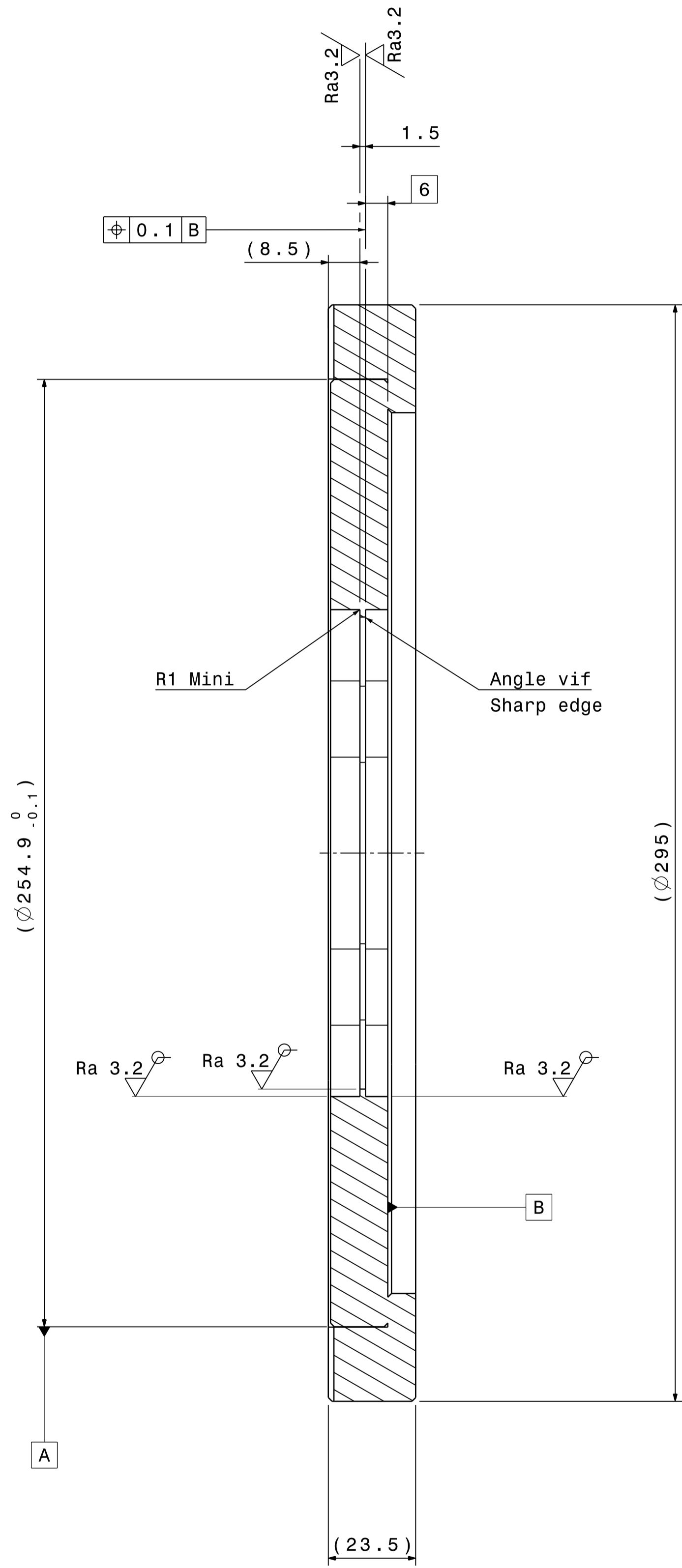


A-A



Approximative mass : 7.5 kg  
Masse approximative

TOLERANCES GÉNÉRALES "MONTÉE"	Tolerances géométriques, linéaires et angulaires	ISO 2768-mK-E	✓ Ra 3.2 / (▽)
	Arêtes de forme non définies	ISO 13715	

1	UHV FLANGE ROTATABLE 295/235 S2EM 18.60.18.400.6	1		STDVUFHV0016	
QUANT.	DESCRIPTION	POS.	MAT.	OBSERVATIONS	REF. CERN
ENS/ASS	LEILMQFB0003		S.ENS/S.ASS	LEIVCQLD0001	
LEIR Vacuum Chamber for Quadrupoles L-shaped (Variant D)				ECHELLE SCALE	DES/DRA. ACROTECNA 2006-07-06
UHV FLANGE Ø295/Ø235 ROTATABLE BRIDE UHV Ø295/Ø235 ROTATIVE				CONTROLLED	
				RELEASED	
				APPROVED	
				REPLACE/REPLACES	LEIVCQLD0001/LEIVCQLD0006
NON VALABLE POUR EXECUTION NOT VALID FOR EXECUTION				QAC -	LEIVCQLD0006 1

ORGANIZATION EUROPEENNE POUR LA RECHERCHE NUCLEAIRE  
 EUROPEAN NUCLEAR RESEARCH ORGANIZATION  
 LEIBNIZ-FORSCHEUNGSKOMPLEX HAMBURG  
 DESIGN, DRAFTING, TOLERANCES, DIMENSIONS  
 DRAWING, RUGOSITY, TOLERANCES  
 ACCORDING TO ISO STANDARDS  
 PROJECTION  
 LEIBNIZ-FORSCHEUNGSKOMPLEX HAMBURG