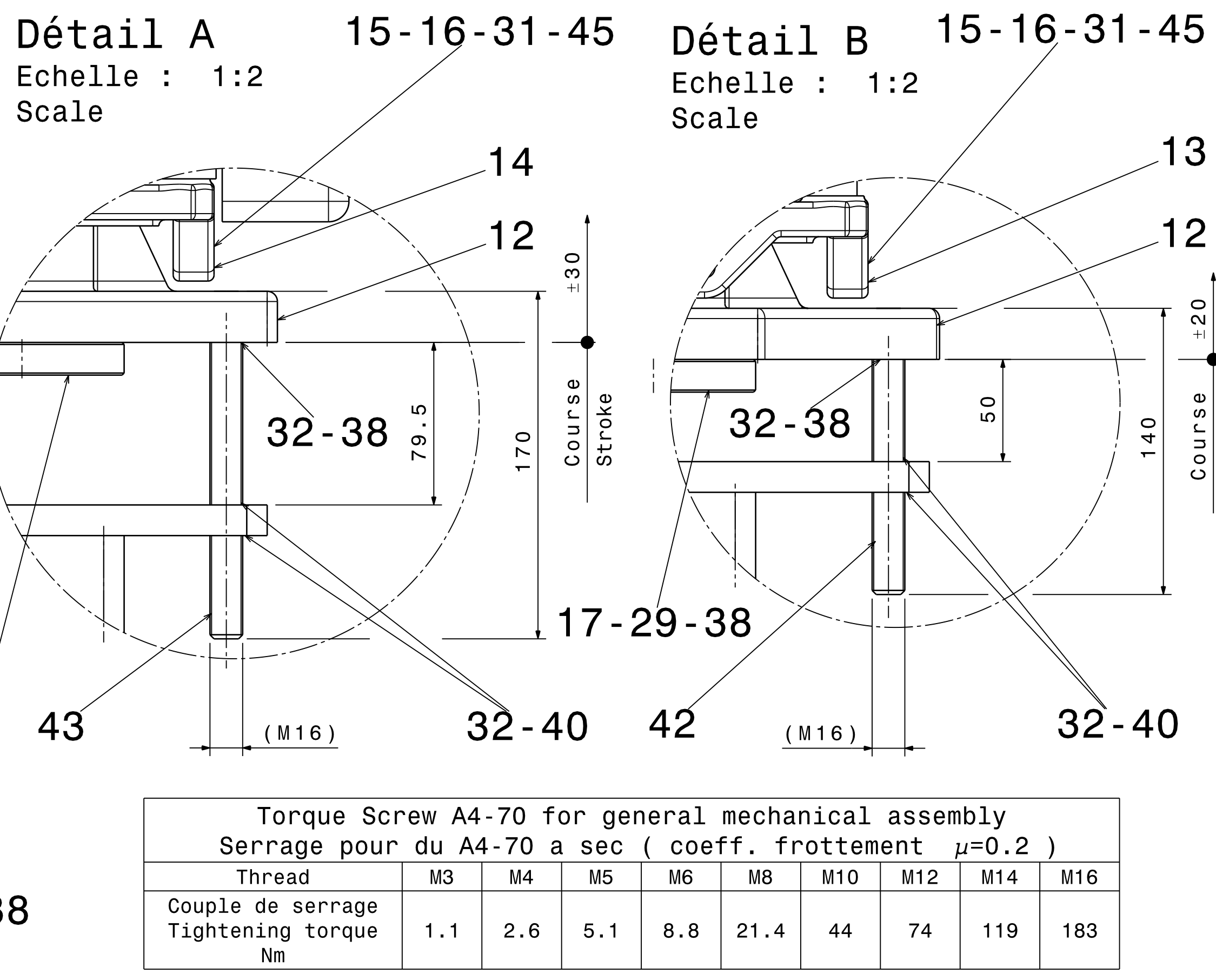
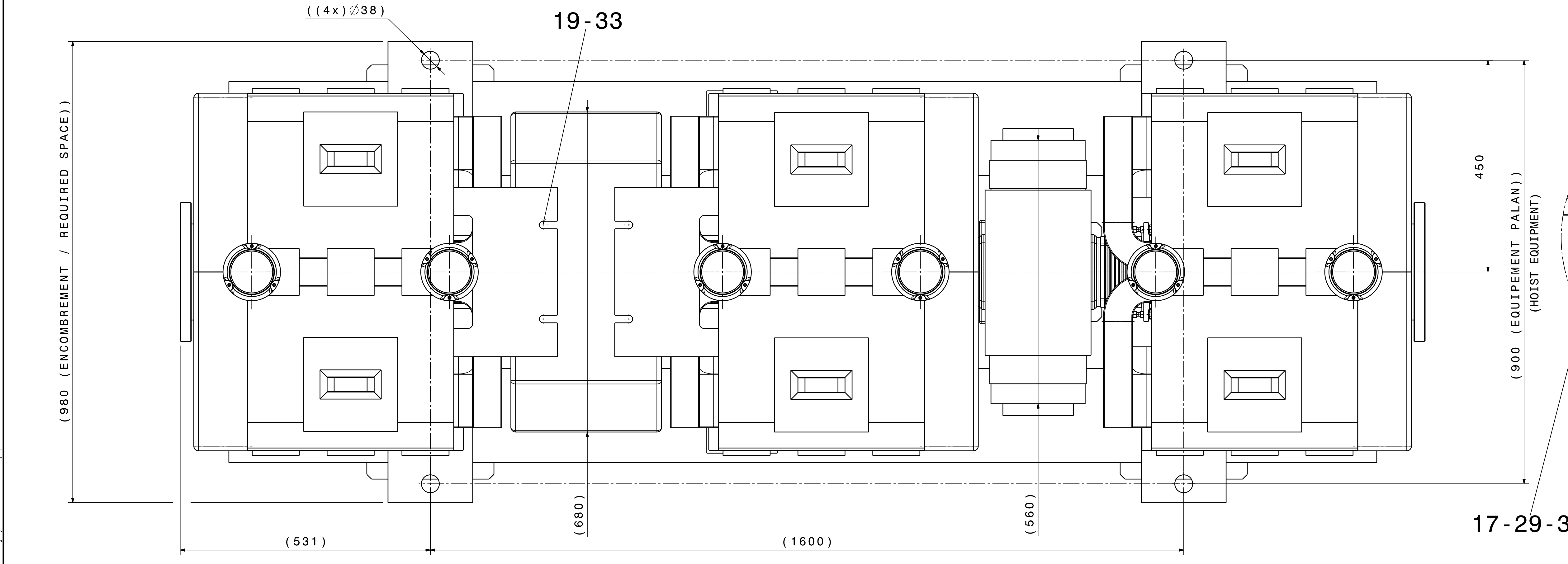


QTY	DESCRIPTION	POS	MAT.	S. ENS/S. ASS	OBSERVATIONS	REF. CERN
6	TARGET MIRE	47			LHGMISA0002	
10	RECT.HARD.ST.ELAST.PIN 2x16	45	STEEL			47.74.92
10	GOUP.ELAST.AC.TREM.RECT. 2x16	45	ACIER			216.8
8	METALLIC PLUG CHEVILLE METALLIQUE	44	STEEL			47.86.27
3	THREADED ROD M16	43	STEEL	RATE 170mm		282.4
3	TIGE FILETEE M16	43	ACIER	DEBIT 170mm		47.36.77
3	THREADED ROD M16	42	STEEL	RATE 140mm		160.3
3	TIGE FILETEE M16	42	ACIER	DEBIT 140mm		47.36.77
3	THREADED ROD M10	41	STEEL	RATE 150mm		160.3
3	TIGE FILETEE M10	41	ACIER	DEBIT 150mm		47.36.77
12	SPHERICAL WASHER M16	40	HARD. STEEL			100.5
12	RONDELLE SPHERIQUE M16	40	ACIER DUR			47.78.12
6	SPHERICAL WASHER M10	39	HARD. STEEL			816.6
6	RONDELLE SPHERIQUE M10	39	ACIER DUR			47.78.12
8	PLAIN WASHER M16	38	ST. STEEL			810.2
8	RONDELLE PLATE M16	38	AC. INOX			47.78.15
8	PLAIN WASHER LARGE M12	37	STEEL	STANDARD INDUSTRY		016.8
8	RONDELLE PLATE LARGE M12	37	ACIER			
44	PLAIN WASHER M12	36	ST. STEEL			47.78.15
44	RONDELLE PLATE M12	36	AC. INOX			012.2
11	PLAIN WASHER M10	35	ST. STEEL			47.78.15
11	RONDELLE PLATE M10	35	AC. INOX			010.4
8	PLAIN WASHER M8	34	ST. STEEL			47.78.12
8	RONDELLE PLATE M8	34	AC. INOX			080.2
4	PLAIN WASHER M6	33	ST. STEEL			47.78.15
4	RONDELLE PLATE M6	33	AC. INOX			080.0
18	HEXAGONAL NUT M16	32	ST. STEEL			47.43.77
18	ECROU HEXAGONAL M16	32	AC. INOX			160.4
10	HEXAGONAL NUT M12	31	ST. STEEL			47.43.77
10	ECROU HEXAGONAL M12	31	AC. INOX			120.2
13	HEXAGONAL NUT M10	30	ST. STEEL			47.43.77
13	ECROU HEXAGONAL M10	30	AC. INOX			100.6
2	HEXAGONAL HEAD SCREW M16x90	29	ST. STEEL			47.62.82
2	VIS A TETE HEXAGONALE M16x90	29	AC. INOX			540.3
8	HEXAGONAL HEAD SCREW M12x50	27	STEEL			47.62.81
8	VIS A TETE HEXAGONALE M12x50	27	ACIER			415.1
36	HEXAGONAL HEAD SCREW M12x45	26	ST. STEEL			47.62.82
36	VIS A TETE HEXAGONALE M12x45	26	AC. INOX			414.8
8	HEXAGONAL HEAD SCREW M12x30	25	ST. STEEL			47.62.82
8	VIS A TETE HEXAGONALE M12x30	25	AC. INOX			411.1
4	HEXAGONAL HEAD SCREW M10x45	24	ST. STEEL			47.62.82
4	VIS A TETE HEXAGONALE M10x45	24	AC. INOX			364.1
4	HEXAGONAL HEAD SCREW M8x40	23	ST. STEEL			47.62.82
4	VIS A TETE HEXAGONALE M8x40	23	AC. INOX			313.2
36	SOCKET HEAD SCREW M10x70	22	ST. STEEL			47.62.71
36	VIS CHC M10x70	22	AC. INOX			369.5
4	SOCKET HEAD SCREW M8x40	21	ST. STEEL			47.62.71
4	VIS CHC M8x40	21	AC. INOX			313.1
4	SOCKET HEAD SCREW M8x30	20	ST. STEEL			47.62.71
4	VIS CHC M8x30	20	AC. INOX			311.3
4	SOCKET HEAD SCREW M6x30	19	ST. STEEL			47.62.71
4	VIS CHC M6x30	19	AC. INOX			261.6
2	SPECIAL WASHER RONDELLE SPECIALE	17	AMTICO		E76.1068.4	
10	DRIP CUP	16	ST. STEEL		ISR 244.466.4	
10	COUVERTE	16	AC. INOX			
10	SCREW M12 MACHINED	15	ST. STEEL		ISR 244.373.4	
10	VIS M12 USINEE	15	AC. INOX			
1	ADJUSTMENT BASE MODIFIED BASE DE REGLAGE MODIFIEE	14			LEIHM_0009	
1	ADJUSTMENT BASE BASE DE REGLAGE	13			ISR 244.464.1C	
2	BASIC SHEET PLAQUE DE BASE	12			ISR 244.463.1	
2	FOOT FOR CRADLE PIED POUR BERCEAU	11			E76.1027	
9	JACK ST VERIN ST	10			E76.1006	
3	QUADRUPOLE QUADRUPOLE	9			E12.1010	
1	QUADRUPOLE SCREW	8			ISR-231-531	
1	QUADRUPOLE SCREW	8				
1	HORIZONTAL DIPOLE	7			PSKMB0120	
1	DIPOLE HORIZONTAL	7				
2	PLATE MAINTENANCE PLAQUE DE MAINTIEN	6			LEIHM_0034	
1	SUPPORT SUPPORT	5			LEIHM_0013	
1	PLATE SUPPORT PLAQUE SUPPORT	4			LEIHM_0011	
1	PLATE SUPPORT PLAQUE SUPPORT	3			LEIHM_0008	
1	VACUUM CHAMBER CHAMBRE A VIDE	2			LEIVCOLG0001	
1	FRAME / HOIST CHASSIS / PALAN	1			LEIHMQB0001	



Torque Screw A4-70 for general mechanical assembly
Serrage pour du A4-70 a sec (coeff. frottement μ=0.2)

Thread	M3	M4	M5	M6	M8	M10	M12	M14	M16
Couple de serrage Tightening torque Nm	1.1	2.6	5.1	8.8	21.4	44	74	119	183

Assembly of Quadrupole Focusing in both planes

SCALE: 1:5

CONTROLLED: 1:5

RELEASED: 1:2

APPROVED: 1:2

REPLACE/REPLACES: LEIHMQB0002

NON VALABLE POUR EXECUTION
NOT VALID FOR EXECUTION

LEIIMQB0002