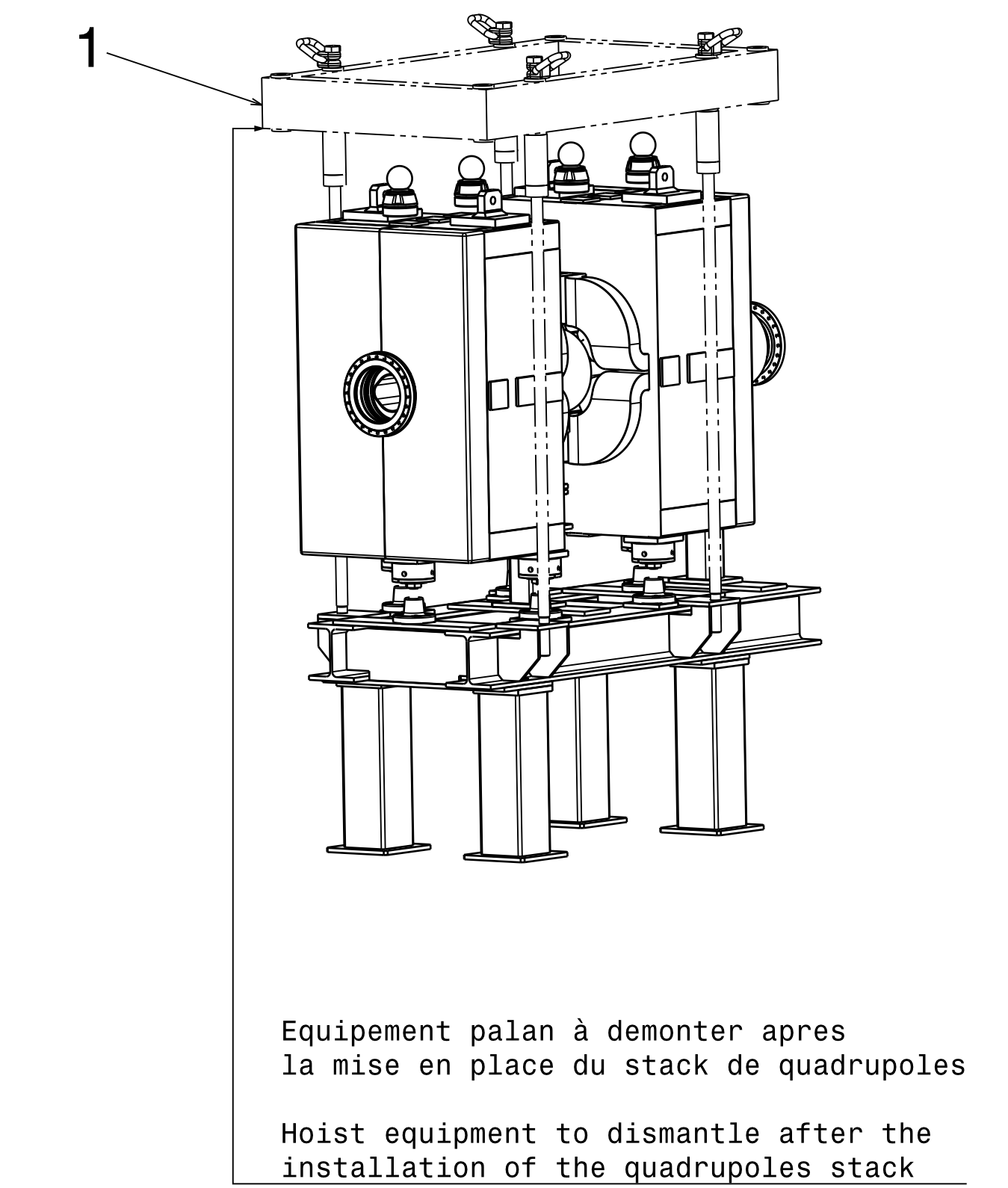
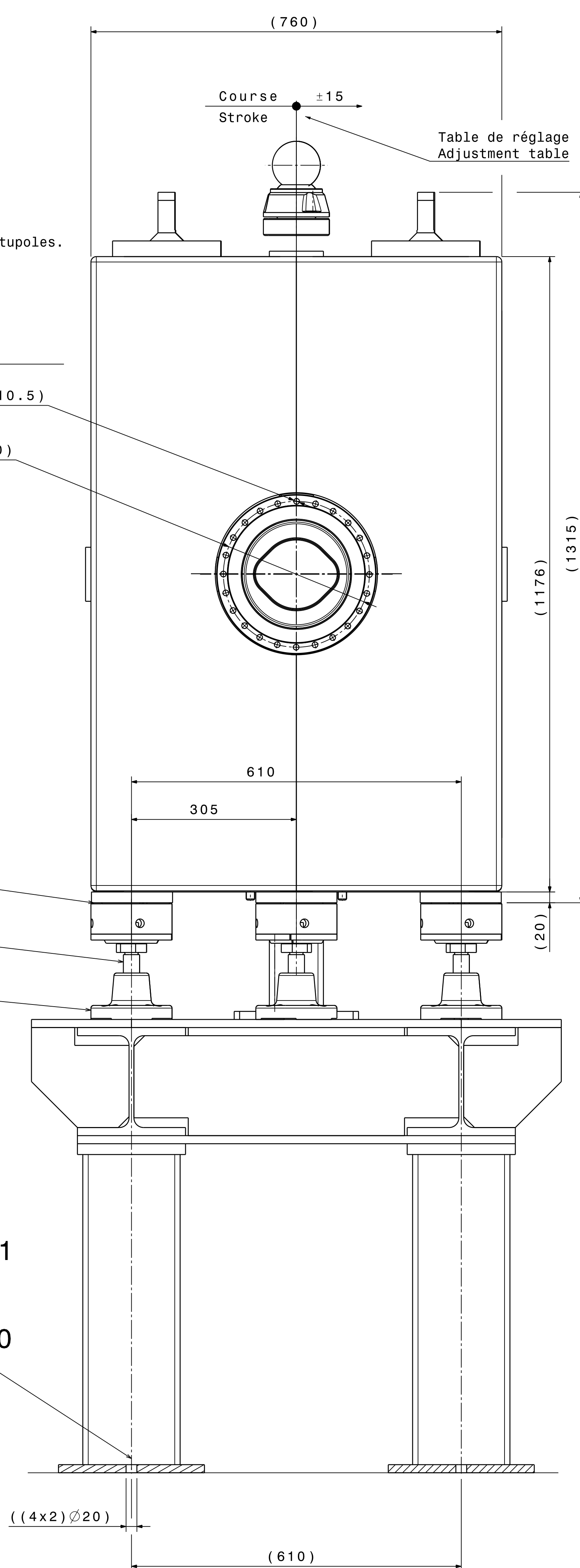
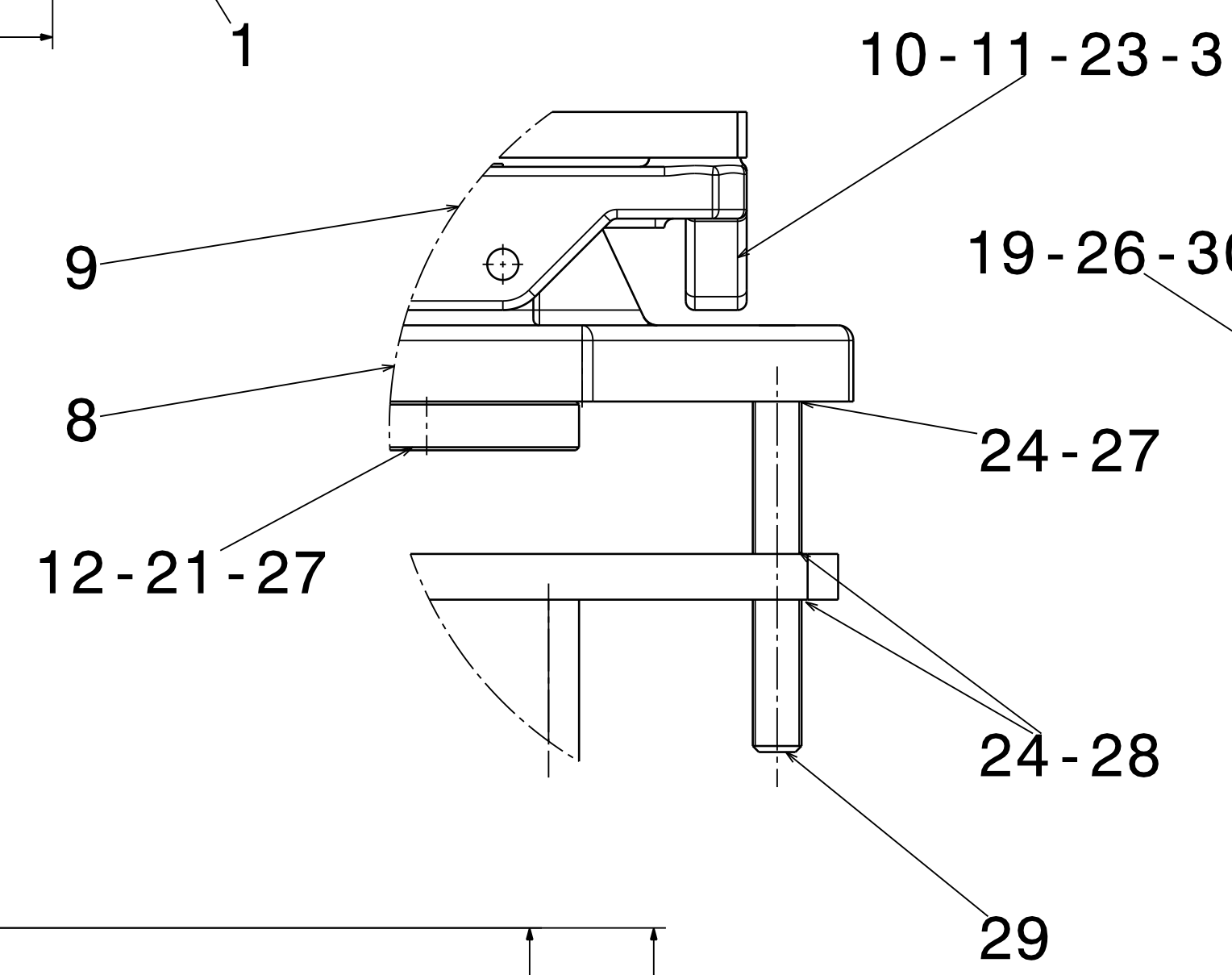


A souder au montage apres introduction de la chambre a vide dans les quadrupoles et sextupoles. Voir plan LEIVCQLA0001 pour les specifications soudures.

To weld during assembling after mounting vacuum chamber into quadrupoles and sextupoles. See drawing LEIVCQLA0001 for the weldings specification.

Détail A
Echelle : 1:2
Scale



2370 (ENCOMBREMENT / REQUIRED SPACE)

1663 ±1.5 AXE CHAMBRE THEORIQUE
THEORIC CHAMBER AXE

(980 (ENCOMBREMENT / REQUIRED SPACE))

Torque Screw A4-70 for general mechanical assembly
Serrage pour du A4-70 a sec (coeff. frottement $\mu=0.2$)

Thread	M3	M4	M5	M6	M8	M10	M12	M14	M16
Couple de serrage Tightening torque Nm	1.1	2.6	5.1	8.8	21.4	44	74	119	183

QUANT	DESCRIPTION	POS	MAT.	OBSERVATIONS	REF. CERN
4	TARGET MIRE	33		LHGMISA0002	
10	RECT. HARD ST. ELAST. PIN 2x16 Goup. elast. ac. trem. rect. 2x16	31	STEEL ACIER		47.74.92 216.8
8	CHEVILLE METALLIQUE METALLIC PLUG	30	STEEL ACIER		47.86.27 282.4
6	THREADED ROD M16 TIGE FILETEE M16	29	STEEL ACIER	RATE 140mm DEBIT 140mm	47.36.77 160.3
12	SPHERICAL WASHER M16 RONDELLE SPHERIQUE M16	28	HARD. STEEL ACIER DUR		47.78.12 816.6
8	PLAIN WASHER M16 RONDELLE PLATE M16	27	ST. STEEL AC. INOX		47.78.15 016.8
8	PLAIN WASHER LARGE M12 RONDELLE PLATE LARGE M12	26	STEEL ACIER	STANDARD INDUSTRY	
40	PLAIN WASHER M12 RONDELLE PLATE M12	25	ST. STEEL AC. INOX		47.78.15 012.2
18	HEXAGONAL NUT M16 ECROU HEXAGONAL M16	24	ST. STEEL AC. INOX		47.43.77 160.4
10	HEXAGONAL NUT M12 ECROU HEXAGONAL M12	23	ST. STEEL AC. INOX		47.43.77 120.2
8	HEXAGONAL NUT M8 ECROU HEXAGONAL M8	22	ST. STEEL AC. INOX		47.43.77 080.3
2	HEXAGONAL HEAD SCREW M16x90 VIS A TETE HEXAGONALE M16x90	21	ST. STEEL AC. INOX		47.62.82 540.3
8	HEXAGONAL HEAD SCREW M12x50 VIS A TETE HEXAGONALE M12x50	19	STEEL ACIER		47.62.81 415.1
24	HEXAGONAL HEAD SCREW M12x45 VIS A TETE HEXAGONALE M12x45	18	ST. STEEL AC. INOX		47.62.82 414.8
8	HEXAGONAL HEAD SCREW M12x30 VIS A TETE HEXAGONALE M12x30	17	ST. STEEL AC. INOX		47.62.82 411.1
8	HC SCREW M8x40 VIS HC M8x40	16	STEEL ACIER	BOSSARD BN617	
8	SOCKET HEAD SCREW M12x35 VIS CHC M12x35	15	ST. STEEL AC. INOX		47.62.71 412.9
24	SOCKET HEAD SCREW M10x70 VIS CHC M10x70	14	ST. STEEL AC. INOX		47.62.71 369.5
2	SPECIAL WASHER RONDELLE SPECIALE	12	ANTICO	E76.1068.4	
10	DRIP CUP CUVETTE	11	ST. STEEL AC. INOX	ISR 244.466.4	
10	SCREW HM12 MACHINED VIS HM12 USINEE	10	ST. STEEL AC. INOX	ISR 244.373.4	
2	ADJUSTMENT BASE BASE DE REGLAGE	9		ISR 244.464.1C	
2	BASIC SHEET PLAQUE DE BASE	8		ISR 244.463.1	
2	FOOT FOR CRADLE PIED POUR BERCEAU	7		E76.1027	
2	CRADLE BERCEAU	6		E76.1026	
6	JACK 5T VERIN 5T	5		E76.1006	
2	SEXTUPOLE	4		E20.1001	
2	QUADRUPOLE	3		E12.1010	
1	VACUUM CHAMBER CHAMBRE A VIDE	2		LEIVCQLA0001	
1	FRAME / HOIST CHASSIS / PALAN	1		LEILMQFB0002	

SCALE	CONTROLLED	DES. DRA.	ACROTECHNA	2006-07-18
1:5	RELEASED			
1:2	APPROVED			
LEILMQFB0001				
REPLACE/REPLACES				
NON VALABLE POUR EXECUTION NOT VALID FOR EXECUTION				
LEILMQFB0001				