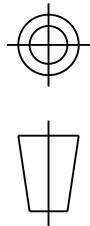
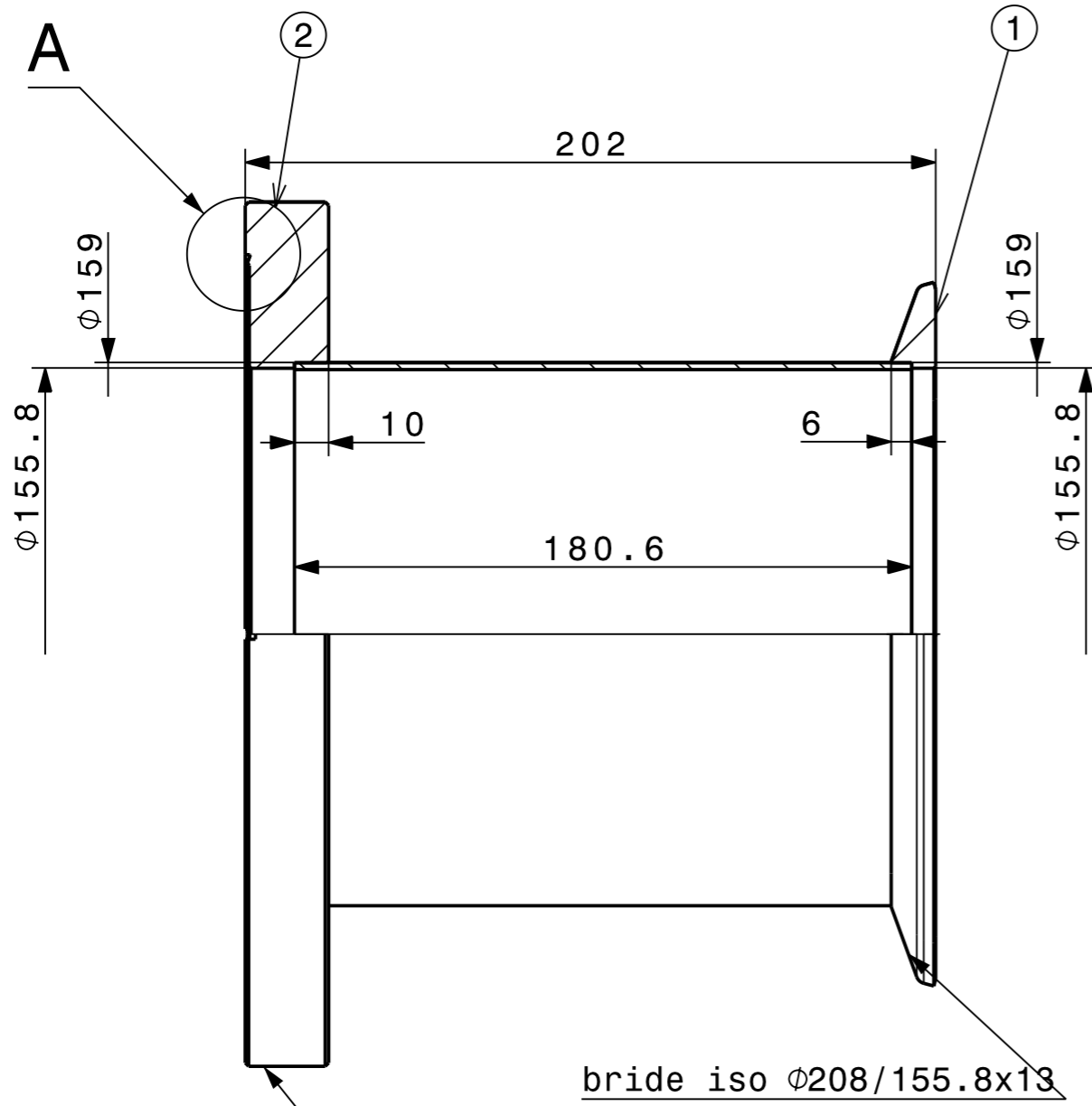


DESSIN, RUGOSITE, TOLERANCES
SELON NORMES ISO
DRAWING, RUGOSITY, TOLERANCES
ACCORDING TO ISO STANDARDS



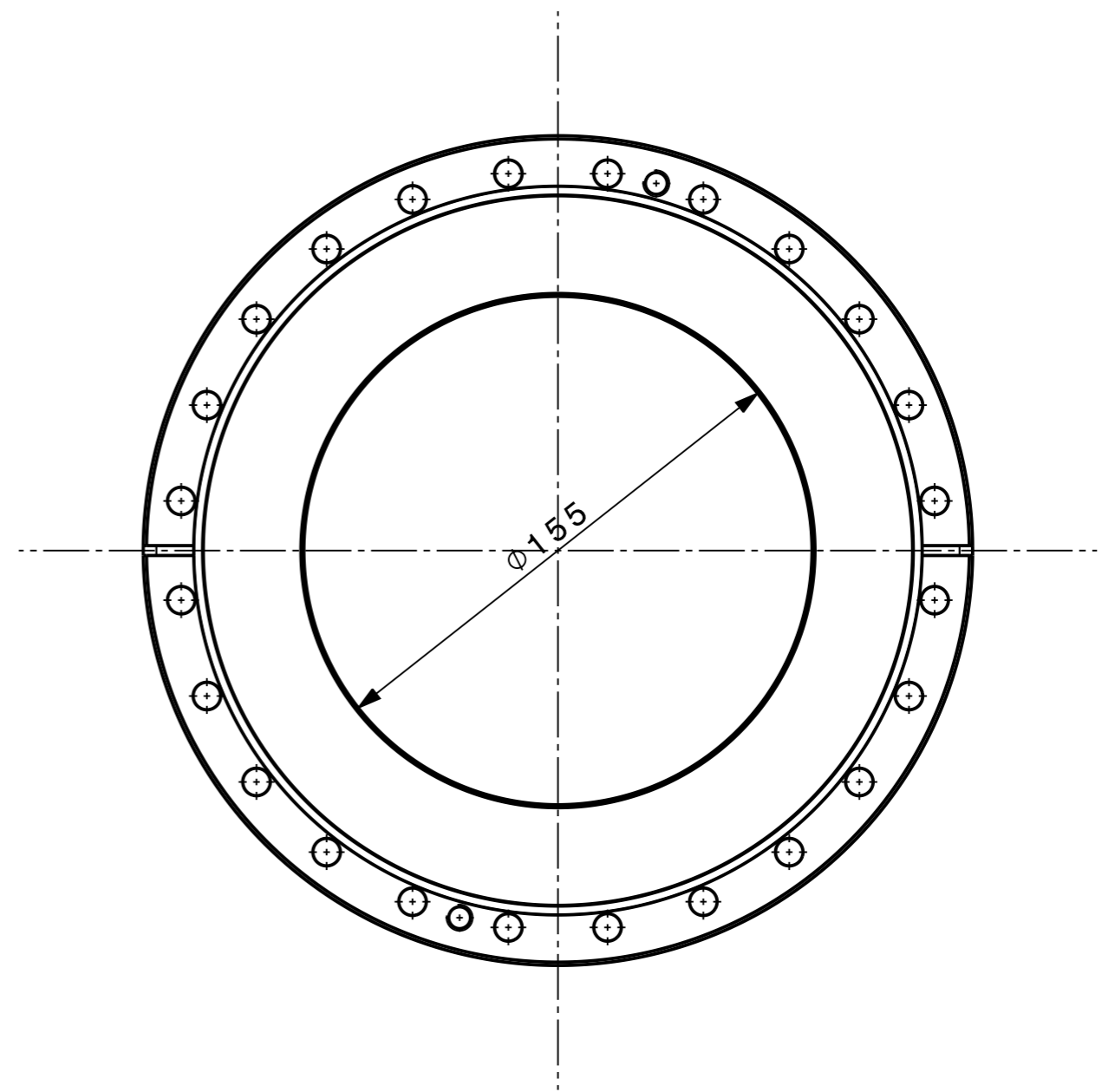
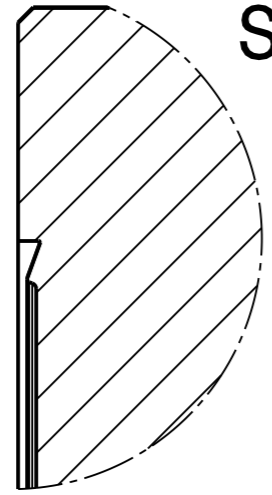
ORGANISATION EUROPEENNE POUR
LA RECHERCHE NUCLEAIRE
RESEARCH
EUROPEAN ORGANIZATION FOR NUCLEAR RESEARCH
GENEVE
Ce dessin ne peut être utilisé à des fins commerciales sans autorisation écrite
This drawing may not be used for commercial purposes without written authorisation



bride iso $\Phi 208/155.8 \times 13$

bride uhv 253/200

Detail A
Scale: 2:1



1	uhv flange 253/200	2	st steel 304l	18.60.18	
				030.2	
1		1	st steel 304 l		
			304 l		
QUA	DESCRIPTION	POS	MAT.	OBSERVATIONS	REF. CERN
ENS/ASS			S. ENS/S. ASS		
RP2_UA9_TRANSITION				DRAWN	F. LOPRETE 2010-08-10
RP2_UA9_TRANSITION				SCALE	CONTROLLED
				RELEASED	
				APPROVED	
				REPLACES	
NON VALABLE POUR EXECUTION NOT VALID FOR EXECUTION			QAC	SIZE	IND.
				3	