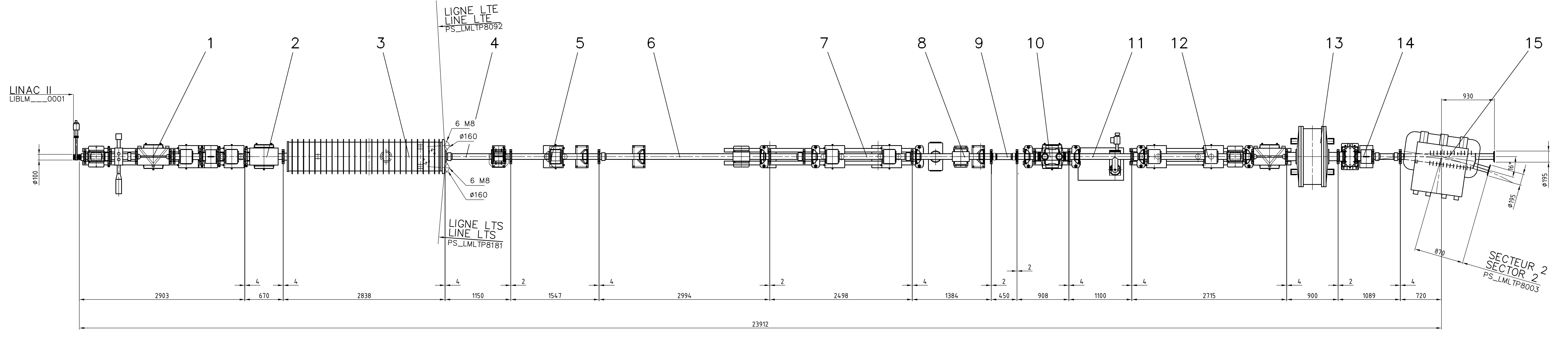


FAISCEAU  
BEAM



QUANT	DESCRIPTION	POS	MAT.	OBSERVATIONS	REF. CERN
1	SECTION 115	15			PS_LMLTP8044
1	SECTION 114	14			PS_LMLTP8043
1	SECTION 113	13			PS_LMLTP8042
1	SECTION 112	12			PS_LMLTP8040
1	SECTION 111	11			PS_LMLTP8039
1	SECTION 110	10			PS_LMLTP8038
1	SECTION 109 - REPLACEMENT VACUUM CHAMBER	9		PS_IVC_0209	
1	SECTION 108 - CHAMBER A WEL DE REPLACEMENT	8			
1	SECTION 108	8			PS_LMLTP8036
1	SECTION 107	7			PS_LMLTP8033
1	SECTION 106	6			PS_LMLTP8152
1	SECTION 105	5			PS_LMLTP8032
1	SECTION 104	4			PS_LMLTP8031
1	SECTION 103	3			PS_LMLTP8030
1	SECTION 102	2			PS_LMLTP8029
1	SECTION 101	1			PS_LMLTP8020

ENS/ASS	MTOLM	ODD01	SENS/S/ASS	PS_LMLTP8001
LAYOUT DE LA LIGNE LT				
LT TRANSFER LINE				
SECTEUR 1				
LIGNE DE TRANSFERT LT				
SECTEUR 1				
ECHELLE SCALE 1:25				
APPROVED PS_LMLTP8/LMLTP002 REPLACE/REPLACES				
NON VALABLE POUR EXECUTION NOT VALID FOR EXECUTION				

DESIGN, RIGIDITY, TOLERANCES  
 DRAWING IN ACCORDANCE WITH  
 THE REQUIREMENTS OF THE  
 INTERNATIONAL STANDARDS  
 DRAWING IN ACCORDANCE WITH  
 THE REQUIREMENTS OF THE  
 INTERNATIONAL STANDARDS

IND.	DATE	NOM/NAME	ZONE	MODIFICATION
B	2011-01-18	J. LACROIX		MODIFIER NOMS
A	2008-04-07	J. LACROIX		Mise a jour pos.1,9 et 10