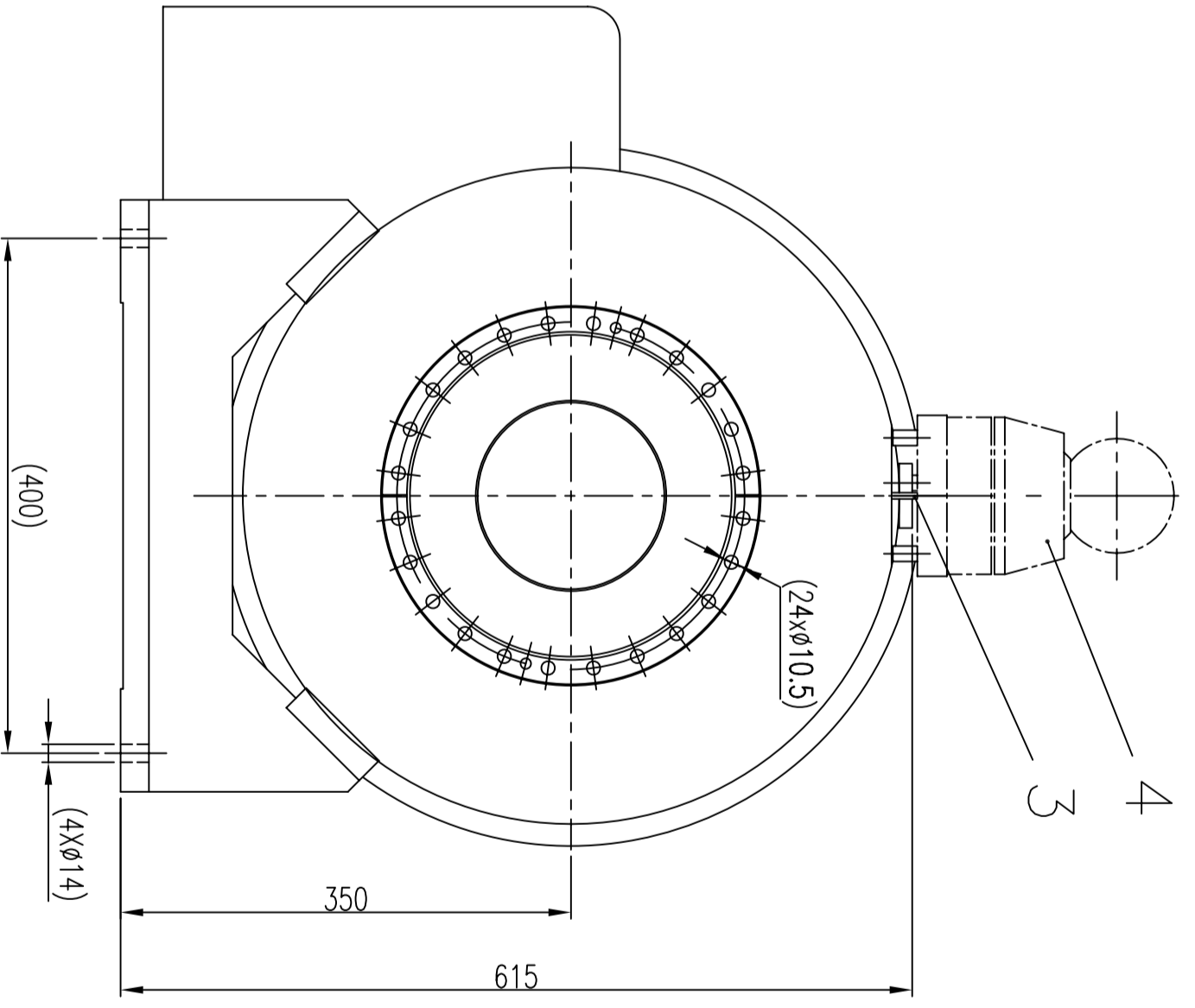
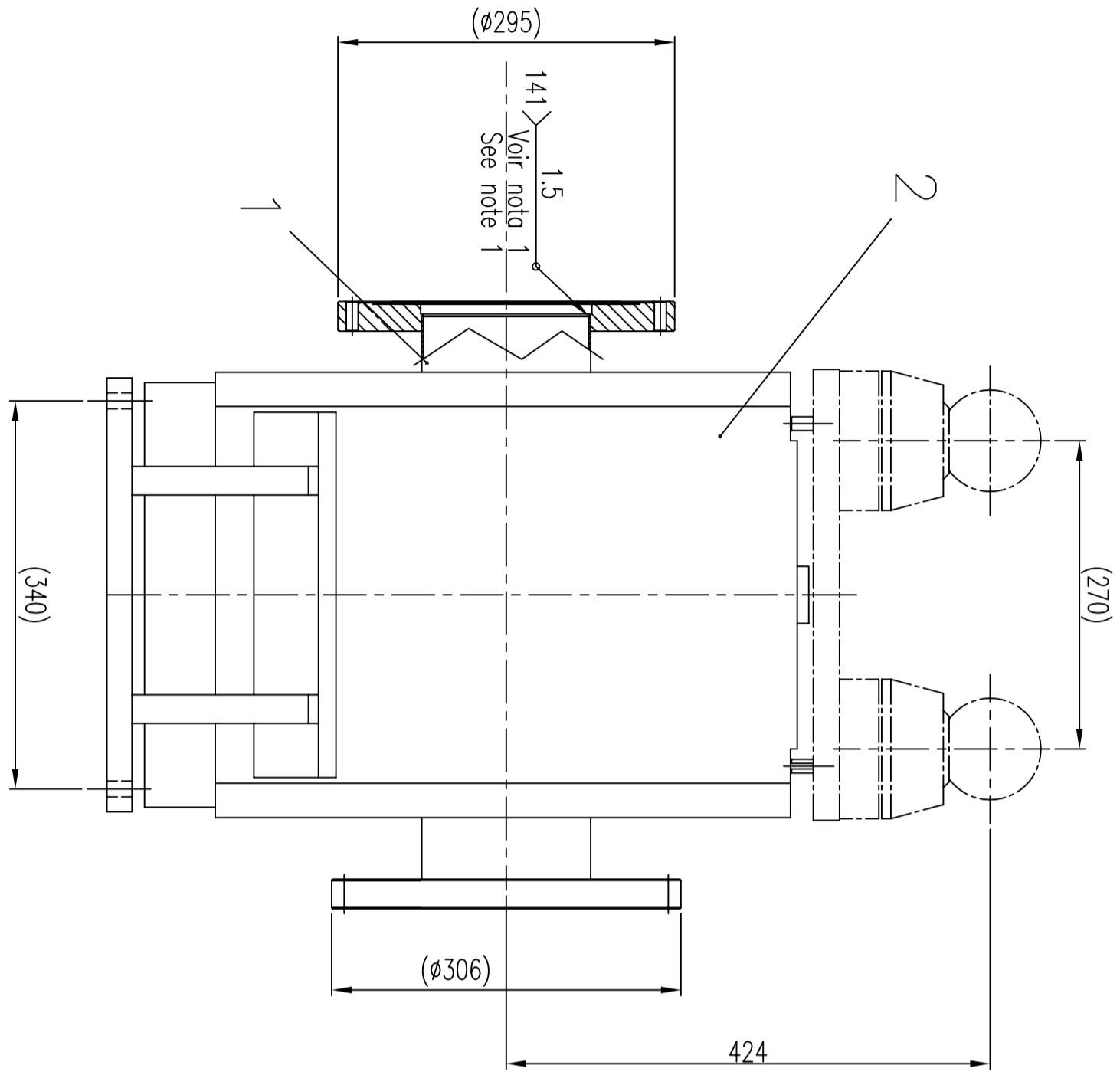
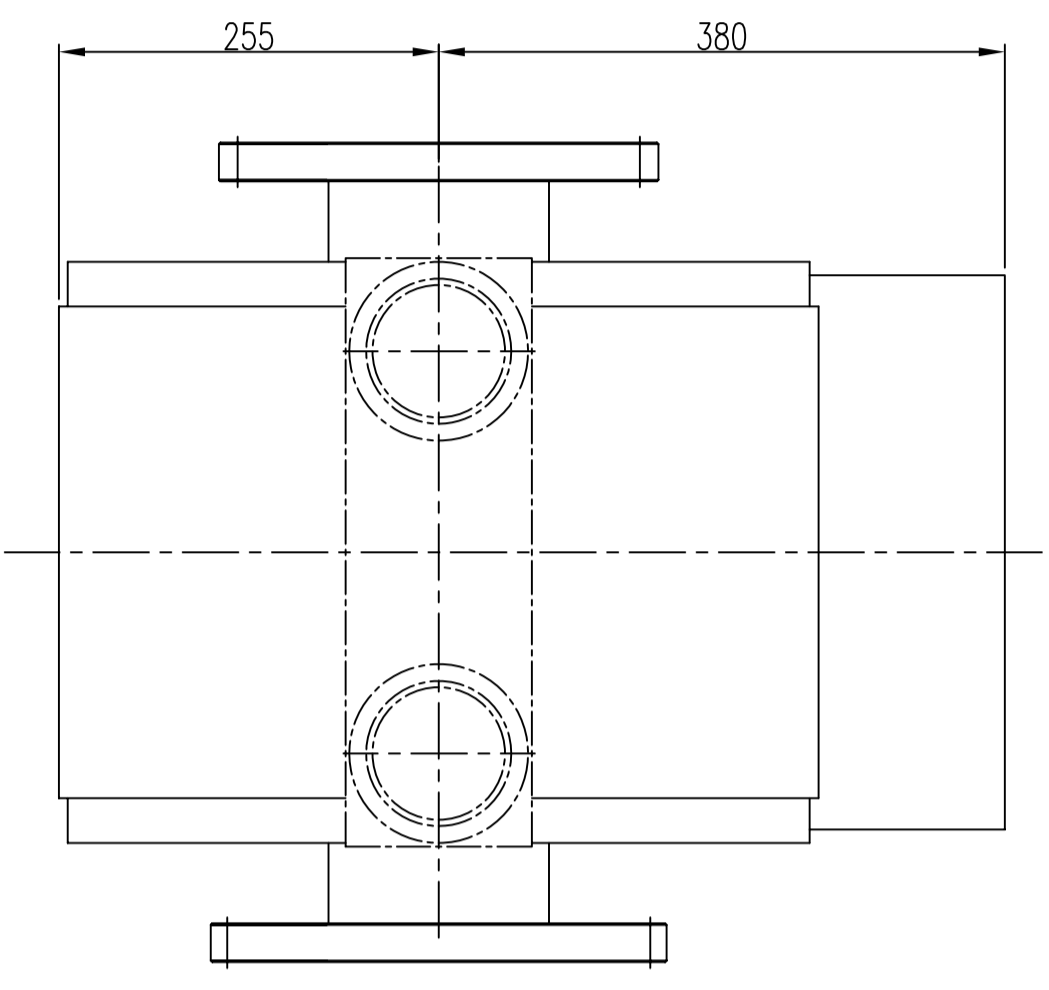


Ce dessin ne peut être utilisé à des fins commerciales sans autorisation écrite.  
This drawing may not be used for commercial purposes without written authorisation.

IND.	DATE	NOM/NAME	ZONE	MODIFICATION

11	10	9	8	7	6	5	4	3	2	1
----	----	---	---	---	---	---	---	---	---	---

NON VALABLE POUR EXECUTION NOT VALID FOR EXECUTION	QC	LEIMLCEC0001	SIZE	IND.
			2	



Mass ~ 500Kg  
Masse

QUANT.	ENS/ASS	DESCRIPTION	POS	MAT.	SENS/S,ASS	OBSERVATIONS	REF. CERN
1		WIRE SUPPORT ASSEMBLY	4				
1		ENSEMBLE SUPPORT MIRE	4				
2		PARALLEL PIN ANNEALED 96x60	3	HARDENED SILVER STEEL			47.74.96
1		GOUPILE CYLINDRIQUE 96x60	3	HAER (CENTRIQUE RENOU)			660.6
1		SOLENOID 13	2				
1		SOLENOIDE 13	2				
1		VACUUM CHAMBER	1				
1		CHAMBRE A VIDE	1				
		DESCRIPTION					
		ENS/ASS					

TOLERANCES GENERALES MOYENNES	Tolerances géométriques, linéaires et angulaires	ISO 2768-mK-E
Aretes de forme non définie		ISO 13715
		±0,1 ±0,1

Solenoid Compensator for Electron Cooling  
COMPENSATING SOLENOID  
SOLENOID 3106  
SOLENOIDE DE COMPENSATION  
SOLENOIDE 3106

DES/DRA. P. MAZUR 2006-10-20  
SCALE 1:5  
CONTROLLED  
RELEASED  
APPROVED  
LEI \ MLCCECO \ MLCCECO01  
REPLACE/REPLACES