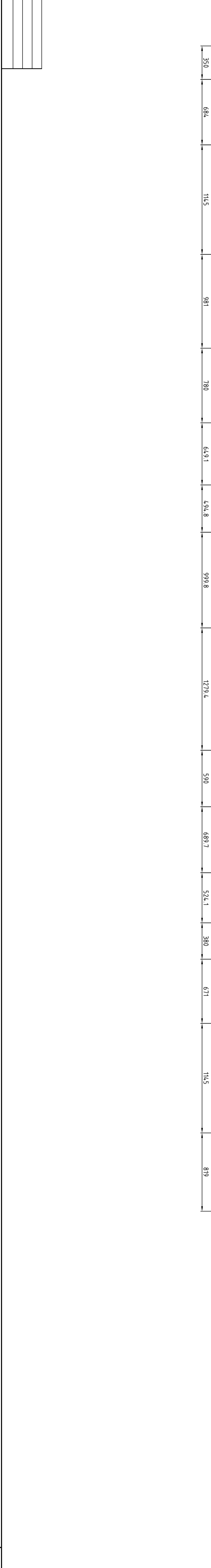


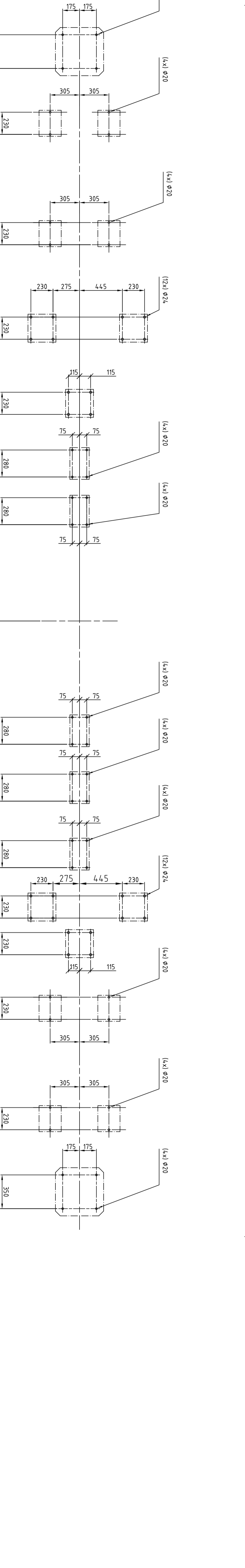
NO	DATE	NOM/NOMME	ZONE	MODIFICATION
23				
22				
21				
20				
19				
18				
17				
16				
15				
14				
13				
12				
11				
10				
9				
8				
7				
6				
5				
4				
3				
2				
1				

DESIGN RUGGOSITY TOLERANCES
 SELON NORMES ISO
 DRAWING RUGGOSITY TOLERANCES
 ACCORDING TO ISO STANDARDS



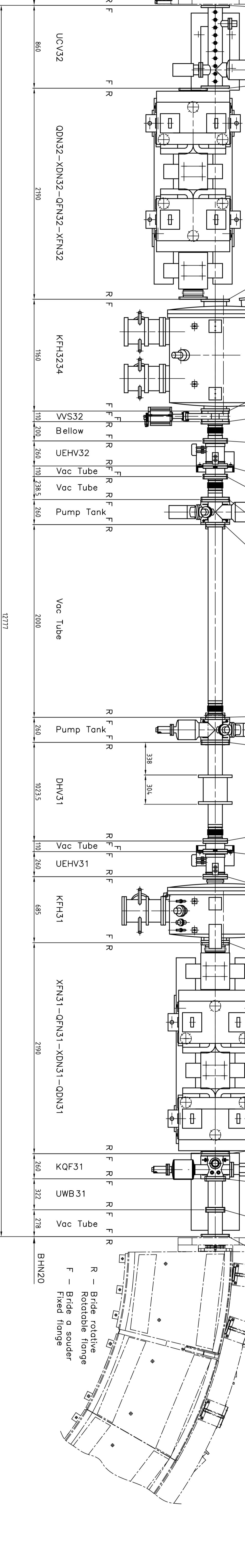
QUANT	DESCRIPTION	REF	MAT	REMARKS	REF. CERN
1	Washer M10	488	ST, Steel		47285
1	Rondelle diale M10	489	Acier inox		10211
1	Washer M8	448	ST, Steel		47285
1	Rondelle diale M8	449	Acier inox		10211
1	Hexagon nut M10	340	ST, Steel		47478
1	Ecrou hexagonal M10	321	Acier inox		47478
1	Hexagon nut M8	322	ST, Steel		10814
1	Ecrou hexagonal M8	323	Acier inox		47478
1	Hexagon screw M10x60	344	ST, Steel		47483
1	Vis tete hexagonale M10x60	324	Acier inox		2914
1	Vis tete hexagonale M8x40	324	Acier inox		47483
1	Vacuum Chamber	1	LEI.VT.CA.001		4241
1	Pick-up Wide Band	1	E.A. 3 1214		
1	Kicker Magnet	1	LEI.LHKH.D0.002		
1	Quadrupole	1	LEI.LHQB.R0.001		
1	Fast Horizontal Kicker Magnet	1	LEI.LHKB.H0.001		
1	Horiz./Vert. Dipole Magnet	1	LEI.LHDHV.001		
1	Vacuum Chamber Pumping Tank	1	LEI.LVCP.T0.002		
1	Vacuum Chamber	1	LEI.VT.CC.001		
1	Vacuum Chamber Pumping Tank	1	LEI.LVCP.T0.002		
1	Vacuum Chamber	1	LEI.VT.CC.001		
1	Beam Position Pick-up	1	LEI.LBPUB.001		
1	Vacuum Chamber	1	LEI.VT.CC.001		
1	Vacuum Valve	1	VAT.48244.XE44.1X		
1	Fast Horizontal Kicker Magnet	1	LEI.LHKB.H0.002		
1	Quadrupole	1	LEI.LHQB.R0.002		
1	Pick-up Short Thy	1	E.S.0 10588		

Installation Layout
 LEIR ASSEMBLY
 STRAIGHT SECTION 30
 ENSEMBLE LEIR
 SECTION DROITE 30
 NON VALABLE POUR EXECUTION
 NOT VALID FOR EXECUTION
 0004



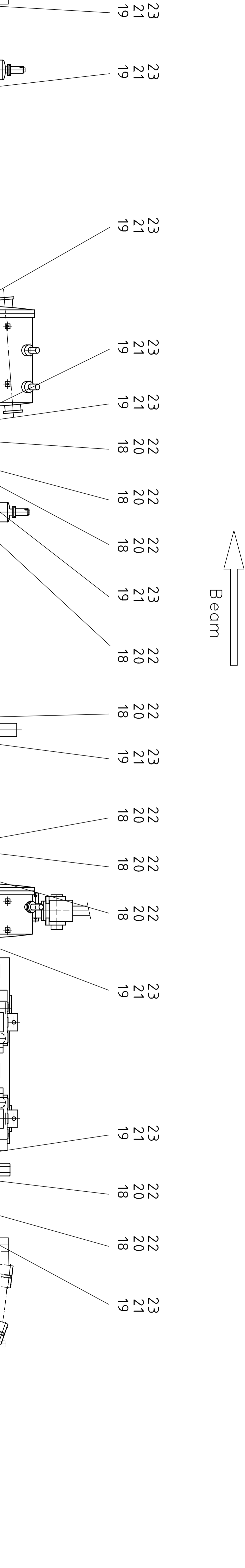
QUANT	DESCRIPTION	REF	MAT	REMARKS	REF. CERN
1	Washer M10	488	ST, Steel		47285
1	Rondelle diale M10	489	Acier inox		10211
1	Washer M8	448	ST, Steel		47285
1	Rondelle diale M8	449	Acier inox		10211
1	Hexagon nut M10	340	ST, Steel		47478
1	Ecrou hexagonal M10	321	Acier inox		47478
1	Hexagon nut M8	322	ST, Steel		10814
1	Ecrou hexagonal M8	323	Acier inox		47478
1	Hexagon screw M10x60	344	ST, Steel		47483
1	Vis tete hexagonale M10x60	324	Acier inox		2914
1	Vis tete hexagonale M8x40	324	Acier inox		47483
1	Vacuum Chamber	1	LEI.VT.CA.001		4241
1	Pick-up Wide Band	1	E.A. 3 1214		
1	Kicker Magnet	1	LEI.LHKH.D0.002		
1	Quadrupole	1	LEI.LHQB.R0.001		
1	Fast Horizontal Kicker Magnet	1	LEI.LHKB.H0.001		
1	Horiz./Vert. Dipole Magnet	1	LEI.LHDHV.001		
1	Vacuum Chamber Pumping Tank	1	LEI.LVCP.T0.002		
1	Vacuum Chamber	1	LEI.VT.CC.001		
1	Vacuum Chamber Pumping Tank	1	LEI.LVCP.T0.002		
1	Vacuum Chamber	1	LEI.VT.CC.001		
1	Beam Position Pick-up	1	LEI.LBPUB.001		
1	Vacuum Chamber	1	LEI.VT.CC.001		
1	Vacuum Valve	1	VAT.48244.XE44.1X		
1	Fast Horizontal Kicker Magnet	1	LEI.LHKB.H0.002		
1	Quadrupole	1	LEI.LHQB.R0.002		
1	Pick-up Short Thy	1	E.S.0 10588		

Installation Layout
 LEIR ASSEMBLY
 STRAIGHT SECTION 30
 ENSEMBLE LEIR
 SECTION DROITE 30
 NON VALABLE POUR EXECUTION
 NOT VALID FOR EXECUTION
 0004



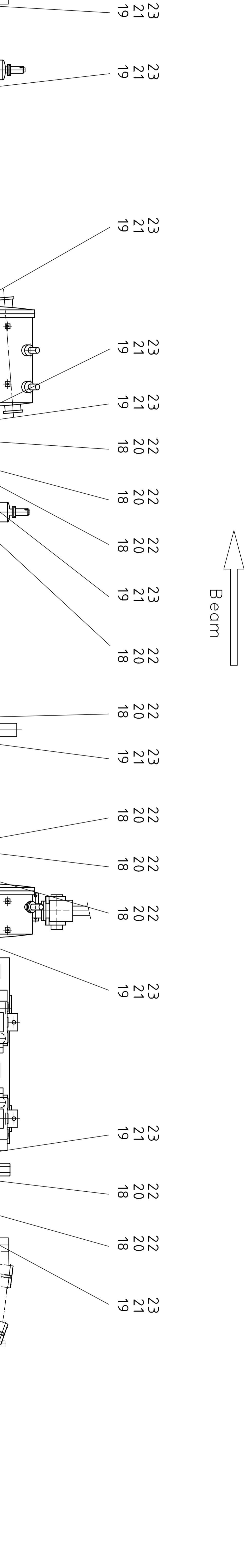
QUANT	DESCRIPTION	REF	MAT	REMARKS	REF. CERN
1	Washer M10	488	ST, Steel		47285
1	Rondelle diale M10	489	Acier inox		10211
1	Washer M8	448	ST, Steel		47285
1	Rondelle diale M8	449	Acier inox		10211
1	Hexagon nut M10	340	ST, Steel		47478
1	Ecrou hexagonal M10	321	Acier inox		47478
1	Hexagon nut M8	322	ST, Steel		10814
1	Ecrou hexagonal M8	323	Acier inox		47478
1	Hexagon screw M10x60	344	ST, Steel		47483
1	Vis tete hexagonale M10x60	324	Acier inox		2914
1	Vis tete hexagonale M8x40	324	Acier inox		47483
1	Vacuum Chamber	1	LEI.VT.CA.001		4241
1	Pick-up Wide Band	1	E.A. 3 1214		
1	Kicker Magnet	1	LEI.LHKH.D0.002		
1	Quadrupole	1	LEI.LHQB.R0.001		
1	Fast Horizontal Kicker Magnet	1	LEI.LHKB.H0.001		
1	Horiz./Vert. Dipole Magnet	1	LEI.LHDHV.001		
1	Vacuum Chamber Pumping Tank	1	LEI.LVCP.T0.002		
1	Vacuum Chamber	1	LEI.VT.CC.001		
1	Vacuum Chamber Pumping Tank	1	LEI.LVCP.T0.002		
1	Vacuum Chamber	1	LEI.VT.CC.001		
1	Beam Position Pick-up	1	LEI.LBPUB.001		
1	Vacuum Chamber	1	LEI.VT.CC.001		
1	Vacuum Valve	1	VAT.48244.XE44.1X		
1	Fast Horizontal Kicker Magnet	1	LEI.LHKB.H0.002		
1	Quadrupole	1	LEI.LHQB.R0.002		
1	Pick-up Short Thy	1	E.S.0 10588		

Installation Layout
 LEIR ASSEMBLY
 STRAIGHT SECTION 30
 ENSEMBLE LEIR
 SECTION DROITE 30
 NON VALABLE POUR EXECUTION
 NOT VALID FOR EXECUTION
 0004



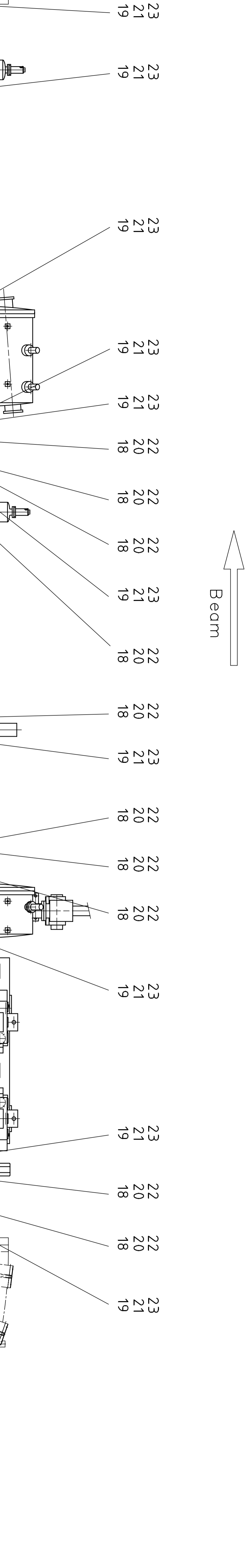
QUANT	DESCRIPTION	REF	MAT	REMARKS	REF. CERN
1	Washer M10	488	ST, Steel		47285
1	Rondelle diale M10	489	Acier inox		10211
1	Washer M8	448	ST, Steel		47285
1	Rondelle diale M8	449	Acier inox		10211
1	Hexagon nut M10	340	ST, Steel		47478
1	Ecrou hexagonal M10	321	Acier inox		47478
1	Hexagon nut M8	322	ST, Steel		10814
1	Ecrou hexagonal M8	323	Acier inox		47478
1	Hexagon screw M10x60	344	ST, Steel		47483
1	Vis tete hexagonale M10x60	324	Acier inox		2914
1	Vis tete hexagonale M8x40	324	Acier inox		47483
1	Vacuum Chamber	1	LEI.VT.CA.001		4241
1	Pick-up Wide Band	1	E.A. 3 1214		
1	Kicker Magnet	1	LEI.LHKH.D0.002		
1	Quadrupole	1	LEI.LHQB.R0.001		
1	Fast Horizontal Kicker Magnet	1	LEI.LHKB.H0.001		
1	Horiz./Vert. Dipole Magnet	1	LEI.LHDHV.001		
1	Vacuum Chamber Pumping Tank	1	LEI.LVCP.T0.002		
1	Vacuum Chamber	1	LEI.VT.CC.001		
1	Vacuum Chamber Pumping Tank	1	LEI.LVCP.T0.002		
1	Vacuum Chamber	1	LEI.VT.CC.001		
1	Beam Position Pick-up	1	LEI.LBPUB.001		
1	Vacuum Chamber	1	LEI.VT.CC.001		
1	Vacuum Valve	1	VAT.48244.XE44.1X		
1	Fast Horizontal Kicker Magnet	1	LEI.LHKB.H0.002		
1	Quadrupole	1	LEI.LHQB.R0.002		
1	Pick-up Short Thy	1	E.S.0 10588		

Installation Layout
 LEIR ASSEMBLY
 STRAIGHT SECTION 30
 ENSEMBLE LEIR
 SECTION DROITE 30
 NON VALABLE POUR EXECUTION
 NOT VALID FOR EXECUTION
 0004



QUANT	DESCRIPTION	REF	MAT	REMARKS	REF. CERN
1	Washer M10	488	ST, Steel		47285
1	Rondelle diale M10	489	Acier inox		10211
1	Washer M8	448	ST, Steel		47285
1	Rondelle diale M8	449	Acier inox		10211
1	Hexagon nut M10	340	ST, Steel		47478
1	Ecrou hexagonal M10	321	Acier inox		47478
1	Hexagon nut M8	322	ST, Steel		10814
1	Ecrou hexagonal M8	323	Acier inox		47478
1	Hexagon screw M10x60	344	ST, Steel		47483
1	Vis tete hexagonale M10x60	324	Acier inox		2914
1	Vis tete hexagonale M8x40	324	Acier inox		47483
1	Vacuum Chamber	1	LEI.VT.CA.001		4241
1	Pick-up Wide Band	1	E.A. 3 1214		
1	Kicker Magnet	1	LEI.LHKH.D0.002		
1	Quadrupole	1	LEI.LHQB.R0.001		
1	Fast Horizontal Kicker Magnet	1	LEI.LHKB.H0.001		
1	Horiz./Vert. Dipole Magnet	1	LEI.LHDHV.001		
1	Vacuum Chamber Pumping Tank	1	LEI.LVCP.T0.002		
1	Vacuum Chamber	1	LEI.VT.CC.001		
1	Vacuum Chamber Pumping Tank	1	LEI.LVCP.T0.002		
1	Vacuum Chamber	1	LEI.VT.CC.001		
1	Beam Position Pick-up	1	LEI.LBPUB.001		
1	Vacuum Chamber	1	LEI.VT.CC.001		
1	Vacuum Valve	1	VAT.48244.XE44.1X		
1	Fast Horizontal Kicker Magnet	1	LEI.LHKB.H0.002		
1	Quadrupole	1	LEI.LHQB.R0.002		
1	Pick-up Short Thy	1	E.S.0 10588		

Installation Layout
 LEIR ASSEMBLY
 STRAIGHT SECTION 30
 ENSEMBLE LEIR
 SECTION DROITE 30
 NON VALABLE POUR EXECUTION
 NOT VALID FOR EXECUTION
 0004



QUANT	DESCRIPTION	REF	MAT	REMARKS	REF. CERN
1	Washer M10	488	ST, Steel		47285
1	Rondelle diale M10	489	Acier inox		10211
1	Washer M8	448	ST, Steel		47285
1	Rondelle diale M8	449	Acier inox		10211
1	Hexagon nut M10	340	ST, Steel		47478
1	Ecrou hexagonal M10	321	Acier inox		47478
1	Hexagon nut M8	322	ST, Steel		10814
1	Ecrou hexagonal M8	323	Acier inox		47478
1	Hexagon screw M10x60	344	ST, Steel		47483
1	Vis tete hexagonale M10x60	324	Acier inox		2914
1	Vis tete hexagonale M8x40	324	Acier inox		47483
1	Vacuum Chamber	1	LEI.VT.CA.001		4241
1	Pick-up Wide Band	1	E.A. 3 1214		
1	Kicker Magnet	1	LEI.LHKH.D0.002		
1	Quadrupole	1	LEI.LHQB.R0.001		
1	Fast Horizontal Kicker Magnet	1	LEI.LHKB.H0.001		
1	Horiz./Vert. Dipole Magnet	1	LEI.LHDHV.001		
1	Vacuum Chamber Pumping Tank	1	LEI.LVCP.T0.002		
1	Vacuum Chamber	1	LEI.VT.CC.001		
1	Vacuum Chamber Pumping Tank	1	LEI.LVCP.T0.002		
1	Vacuum Chamber	1	LEI.VT.CC.001		
1	Beam Position Pick-up	1	LEI.LBPUB.001		
1	Vacuum Chamber	1	LEI.VT.CC.001		
1	Vacuum Valve	1	VAT.48244.XE44.1X		
1	Fast Horizontal Kicker Magnet	1	LEI.LHKB.H0.002		
1	Quadrupole	1	LEI.LHQB.R0.002		
1	Pick-up Short Thy	1	E.S.0 10588		

Installation Layout